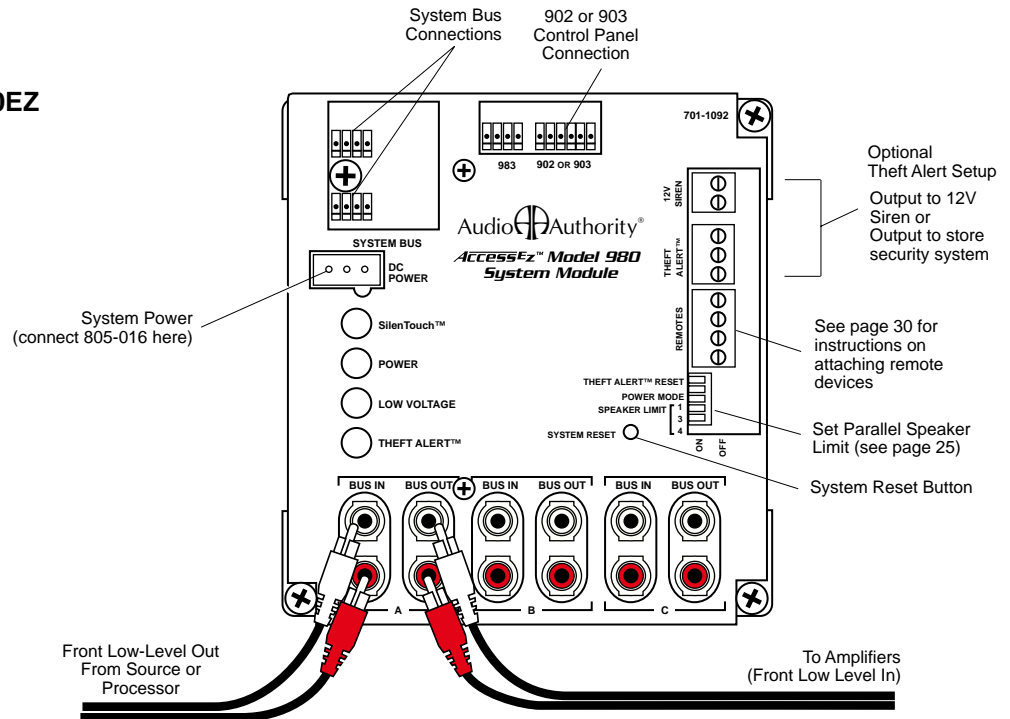


## Model 980 System Module / 2- and 6-Channel Hookup

The System Module is essential for every Access™ system. It makes no difference if selection of product is by Control Panel or by Product Select Buttons or both, therefore, always follow this diagram for proper setup. Concerning signal path, the Model 980EZ will be located just before the amplifier inputs (see Appendix A). In the 2-channel configuration, the Front Inputs and Front Outputs are the only connections that are used. In the 6-channel configuration, all three sets of inputs/outputs are used. The Low-Level buses (e.g., front, rear, sub) continue separately from the 980 on to their corresponding amplifiers or amp groups.

### 2-Channel Setup for 980EZ



### 6-Channel Setup for 980EZ

