



# MH4-HD

## Multi-Video MediaHub

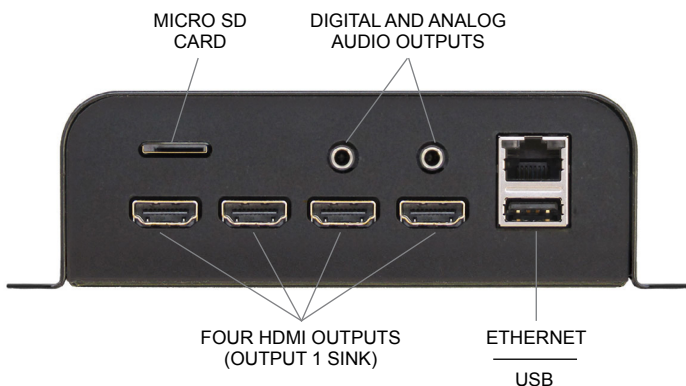
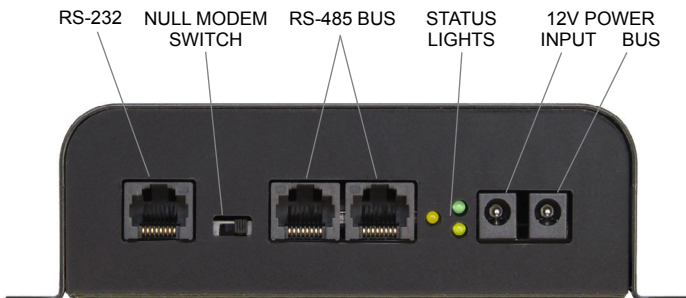
## Media Player with Smart Video Distribution

### Features

- BrightSign® Built-In
- Four HDMI® outputs (1080p60)
- Individual CEC control via HDMI
- Dual audio jack (digital or analog)
- Customizable push-button ports (RJ9 x8)
- Communication ports for peripherals (RJ45 x3)
- USB port for touch screen applications
- Ethernet port for remote updates

The Model MH4-HD adds multiple video outputs to the MediaHub platform. For demo systems that require multiple video sinks, the Model MH4-HD acts as its own 1:4 distribution amplifier. Connect up to four HDMI sinks (televisions, soundbars, A-V receivers, etc.); each output provides identical 1080p video signal, but the MH4-HD has the capability to send individual CEC commands to each sink.

The Model MH4-HD is ideal for coordinating an HDMI audio or video experience, with multiple user interface options, and multiple ways to interface directly with AVRs, TVs, and sound bars via Ethernet, RS-232, or CEC communication.



The MH4-HD has many control options including touch screens, TouchSelect panels, and EasyPlug push-buttons.

\*Additional charges may apply for custom programming and custom overlay.

## Example System:

### Sound Bar vs. TV Sound Comparison

The MH4-HD distributes video to four HDMI sink devices, while the 1821 switcher handles audio for sound bars. A TouchSelect panel by each sound bar allows the customer to activate the sound bar, adjust volume, and toggle the audio from sound bar to TV speakers. Since the TVs receive audio via HDMI, the TV sound toggle function is performed by muting the TV using CEC control signals via the HDMI connection – a function not available on standard HDMI distribution amps. At the same instant, the 1821 switcher activates the sound bar via optical signals. The whole experience is orchestrated by a BrightAuthor program on the MH4-HD MediaHub.

**BrightSign**  
Built-in

The MH4-HD contains a complete BrightSign media player, with all the proprietary features, but offers more media outputs and more connectivity to multiple external devices.



TV  
SOUND BAR  
TS04 TOUCHSELECT PANEL

TouchSelect is easy to install: Cat 5 cable links one TS04 panel to the next, and the last one plugs directly into the MH4-HD.



## MH4-HD Specifications

See [audioauthority.com/mh4-hd](http://audioauthority.com/mh4-hd) for full audio and video specifications.

- Audio Formats: MP3 (mono or stereo) @ 44.4kHz or 48kHz, WAV (mono or stereo) @ 96kHz, 48kHz, or 44.1kHz
- Recommended Video Formats: MP4 and MOV (without metadata) with AAC or AC3 audio (pass-thru)
- Video Codecs: H.265, H.264 (MPEG-4, Part 10), MPEG-2, MPEG-1
- Dimensions (HxWxD, inches): 5.4 x 5.2 x 1.8
- Serial Communication: RS-485, RS-232 (Baud rate is software-selected)
- Power Supply: 12V DC, 1.5A

**Ascentic**  
RETAIL ENGINEERING  
by Audio Authority



2048 Mercer Road, Lexington, KY 40511-1071 USA  
Phone: 859-233-4599 • Fax: 859-233-4510  
Customer Toll-Free USA & Canada: 800-322-8346  
[audioauthority.com](http://audioauthority.com) • [sales@audioauthority.com](mailto:sales@audioauthority.com)