

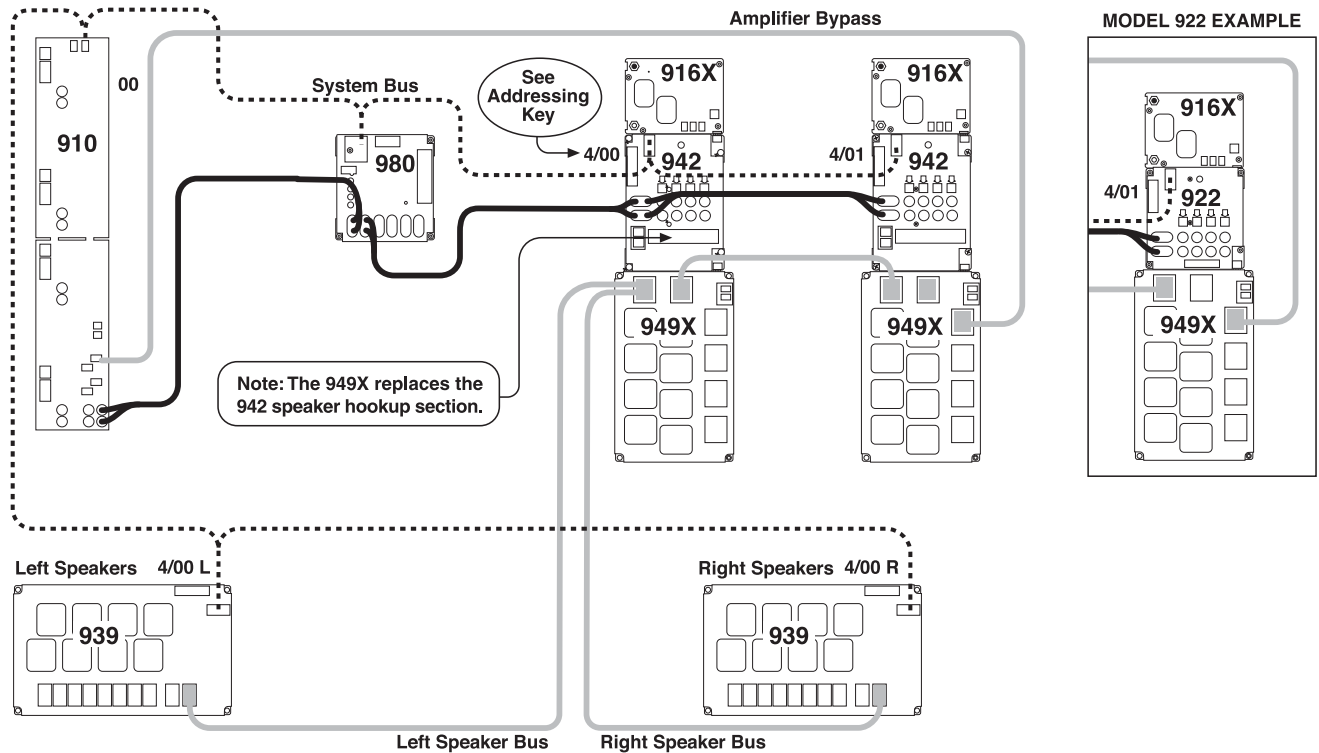
High Current Subwoofer Demonstrations

AccessEZ Model 949X and 939

Models 939 and 949X provide high-power switching in AccessEZ demonstration networks, particularly with super amps and paralleled speakers in mobile audio systems. The 939 and 949X modules are rated 1000 watts at speaker loads down to 2 ohms. The 949X expander module switches a pair of output channels from each of four amplifiers hosted by a Model 942 (shown below). The 939 selects speakers in the same manner as the standard-power 932 Speaker Selector. Together, the 949X and 939 comprise building blocks from which high-power audio demonstration systems of any size can be built.

Refer to the Access Demonstration Network Car Audio or Home Audio System Installation manuals for basic system design and installation procedures for AccessEZ modules. Dock 949X modules with 922 or 942 host switch modules, and mount 939 modules as needed in the display fixture. In 949X applications, the 942 speaker section is not used. Bus together the 949X and 939 modules for each pair of channels as shown below, using larger-gauge speaker cable, up to 10 AWG. Connect each product position to its respective product using the same type of wire. Using good quality RCA cables, connect amplifier inputs to the amplifier main module (922 or 942) and bus the amplifier main modules to the Model 980EZ System Module. Connect DC power to the amplifiers as instructed in the system installation manuals.

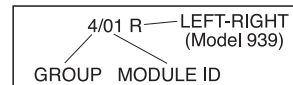
Connect system bus (and product select buttons, if used) to the 939 modules and set the address switches (see the Addressing Key below) and Left-Right switches as shown. For more detail, see instructions for Model 932 in the Access installation manuals (available for download at audioauthority.com).



SAMPLE SYSTEM CAPACITY

- 4 High-powered Sources
- 7 Amplifiers & Amplifier Bypass
- 8 Speaker Pairs

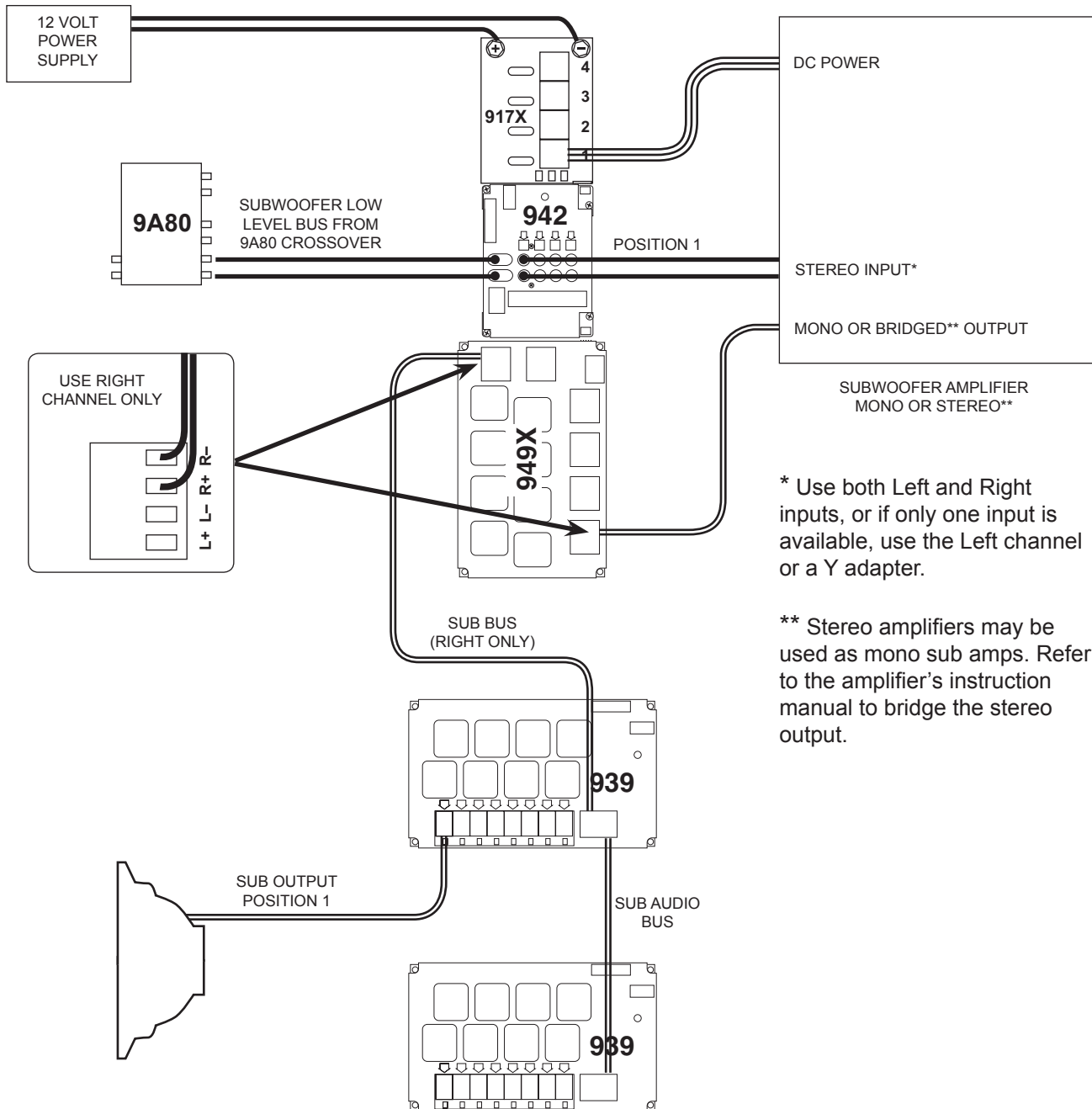
ADDRESSING KEY



Mono Subwoofer Demonstrations

AccessEZ Model 949X and 939

AccessEZ demonstration systems are designed for stereo presentations, but subwoofers may be demonstrated in mono by using mono amplifiers or stereo amps with bridged outputs as shown. Connect each sub amp output to the right channel of the 949X, and connect the right channel of the sub speaker bus to 939 switch modules. 939 subwoofer modules are mono, so they should be connected in the standard configuration. The diagram below accommodates four sub amps and 16 subwoofers.



2048 Mercer Road, Lexington, Kentucky 40511-1071 USA
 Phone: 859-233-4599 • Fax: 859-233-4510
 Customer Toll-Free USA & Canada: 800-322-8346
 www.audioauthority.com • support@audioauthority.com