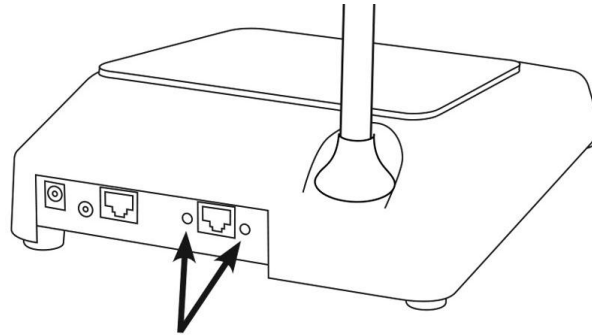


Date: Oct. 27, 2023

SB-008



Service Bulletin

Subject:

Potential of untapped screw holes for video head mounting.

Summary:

A limited quantity of 1500 counter stations do not have threaded holes for mounting a 1501/1502L video head.

Models Affected:

1500A (shipped August through October)
1500AH (shipped August through October)

Description:

Two holes on the rear of the counter station should have tapped threads for mounting the video head option. The affected units have holes that are not tapped.

Instructions:

Only use approved self-tapping screws: AAC Part # 711-438 (#6 x 1/2" Type A self-tapping Phillips / pan head screws) to mount the optional video head. We recommend installing these by hand with a screwdriver, instead of using a power-driver to avoid stripping the holes.

How to Obtain Parts:

A prepack (670-550) will be provided with affected counter stations. If you need to order screws, call Audio Authority Technical Support at 800-322-8346. You can also email us at support@audioauthority.com with questions.

Thank you for your continued support of our products and services and for your valuable business!

Audio Authority Technical Support
support@audioauthority.com