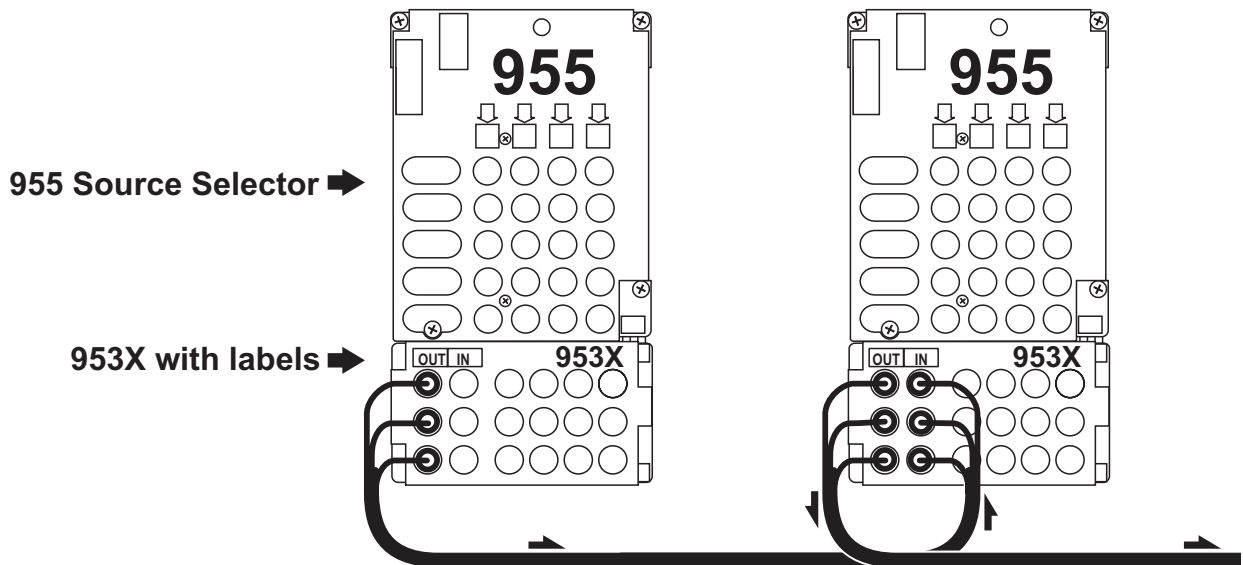
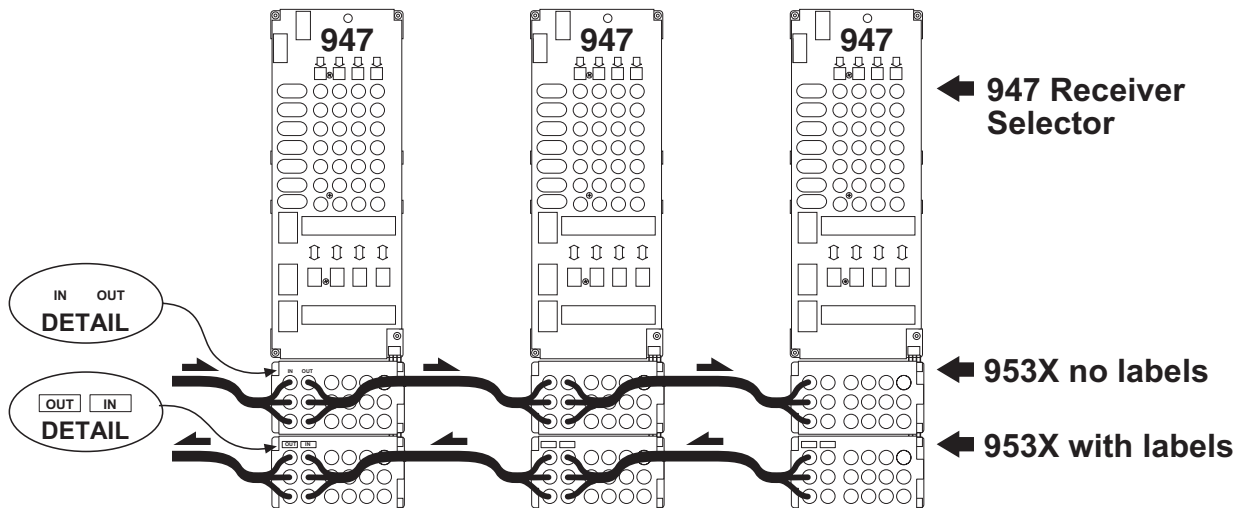


953X Bus Hookup Instructions

The Model 953X can be used to expand either source or receiver modules, but since the signal flow is opposite for these two types of modules, the Model 953X includes stick on labels. If the 953X is to be used as a source expansion module (e.g. DVD players as sources), apply the included stick-on labels over the printed legend, and connect the bus as shown.



If 953X modules are to be used as expansion modules for component video on-screen display (as shown below) the module sending video to the receivers will use the printed legend. The video signal output from the receivers will connect to the 953X modules with labels applied over the printed legend.



2048 Mercer Road, Lexington, Kentucky 40511-1071
 Phone: 859/233-4599 • Fax: 859/233-4510
 Customer Toll-Free USA & Canada: 800/322-8346
 Website: <http://www.audioauthority.com>

752-401
9/01