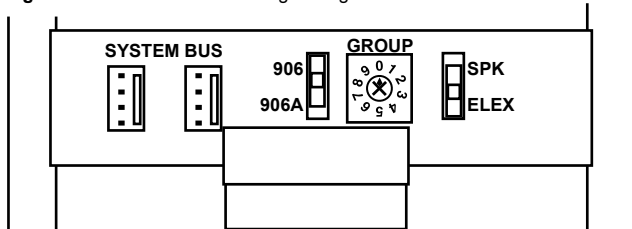


# Model 906G Installation and Operation

Model 906G control panel is designed to control a single product group in AccessEZ™ audio and video demonstration systems. The 906G can switch up to 99 products in a group (with the appropriate number of switch modules), deselect products, and perform A/B comparisons. Multiple 906G control panels may be used in one system, each panel controlling a different product group (see Figure 2). A single group may also be controlled by two different 906G control panels (see Figure 3).

Figure 1. 906G rear view showing settings.



## Setup

Before permanent installation, set the GROUP rotary switch (Figure 1) on the back of the 906G to match the product group number of the group it is to control. Set the ELEX / SPK switch to ELEX unless the 906G will be controlling 932, 934 or 939 speaker switching modules (e.g., Figure 3). If you want to control one product group from two different room locations (Master/Slave configuration, Figure 3) set the 906/906A switch to 906A on one of the control panels.

## Making Connections

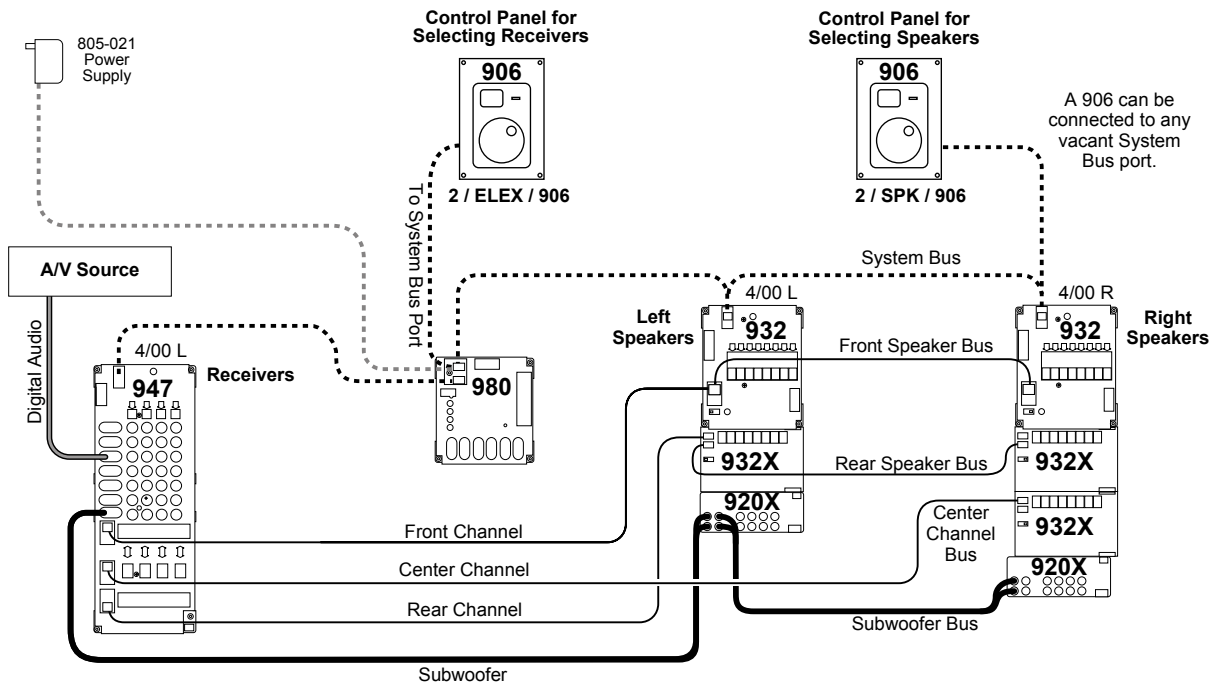
Connect the 906G system bus port (Figure 1) to any Access module's vacant system bus port and power up the system. When the system first boots up, the 906G displays the "product type" (E for Electronics or S for Speakers) and product group number, reflecting the switch settings on the rear panel. (Example: "E2" = Electronics group number 2.) Next the display reads, "Po" which indicates that the 906G is polling the system to see how many modules it can detect. After polling, it displays "--" which indicates that the control panel is ready for operation, and no products are selected.

**Important:** If you change the settings on the 906G switches, you must reboot the system (disconnect, then reconnect DC power) to activate the changes.

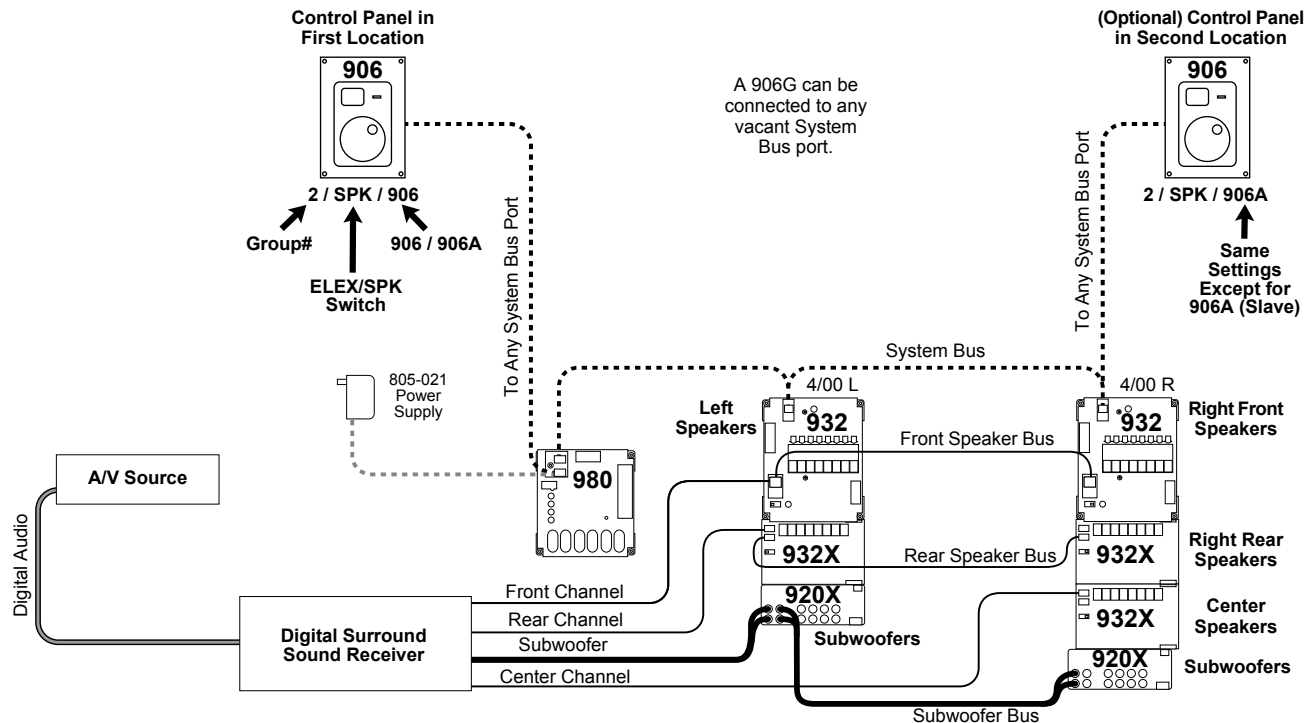
## Limiting Selection Numbers

When a display has blank positions where product will not be connected, it may be desirable to reduce the number of products that the 906G can select. To customize the number of available positions, use a paper clip to press the setup button, located behind the pinhole on the left side of the front panel. Turn the knob to the highest position you wish to allow, and press the setup button again to save. The 906G will now remember the custom product number even after reboot. To return to the default settings, reboot with the SELECT PREVIOUS switch held down.

Figure 2. Switching system for 4 Receivers and 8 Surround Speaker Packages. Each panel controls a different group within the same system. Panels are differentiated by changing the Group setting, or in this case, the Slide Switch setting.



**Figure 2.** Master/Slave configuration with a Home Theater Speaker Package Switching System. In this example, both panels control the same group.



## Mounting the Control Panel

The 906G can be flush mounted in a wall, counter top or cabinet, or it can be mounted in a Model 989 control panel enclosure. To flush mount, cut a hole, 4-1/4" tall by no more than 3-3/4" wide. Connect the system bus to the System Bus port at the bottom of the rear panel, insert the 906G into the cutout, and use the included screws to secure it. Do not overtighten the screws or the panel may crack.

## Selecting Products

Select products on the 906G by turning the knob to the desired product number. The product is automatically selected after the knob stops rotating. To deselect, turn the knob to the "--" position.

Note: When using two 906G panels to control selections in the same group activity on one control panel is reflected in the display of the other.

## A/B Comparisons

The COMPARE PREVIOUS button returns to the previous selection. If you wish to compare product #1 with #4, for example, turn the knob to select #1, then

turn the knob to select #4. You may now press COMPARE PREVIOUS to return to #1, and press again to select #4, and so on. You may also compare a set of speaker pairs to play at once, and then compare that selection to another selection consisting of one or more speaker pairs.

## Selecting Multiple Speaker Pairs

Select the first pair in the normal way. Then press and hold the COMPARE PREVIOUS button while turning the knob to the product number you wish to add. Release the button. Now the display alternates between the first and the additional speaker pair. To deselect one of the speaker pairs, press and hold the COMPARE PREVIOUS button and turn the knob to the product number you wish to deselect.

Note: If you are unable to select multiple speakers using the 906G, check the speaker limit setting on the 980 module. The Access system is capable of selecting up to four speaker pairs at a time, but the 980 may be set up to limit the number to 1, 2, 3, or 4. In systems without a 980 module, the speaker limit is fixed at two.

## For Assistance

For issues not addressed in this manual, call Audio Authority Technical Service at 800-322-8346, Monday – Friday 8:30 AM to 5:00 PM Eastern Time.

**Audio Authority**<sup>®</sup>

2048 Mercer Road, Lexington, Kentucky 40511-1071  
 Phone: 859-233-4599 • Fax: 859-233-4510  
 Customer Toll-Free USA & Canada: 800-322-8346  
 Web: www.audioauthority.com

752-571  
 5/08