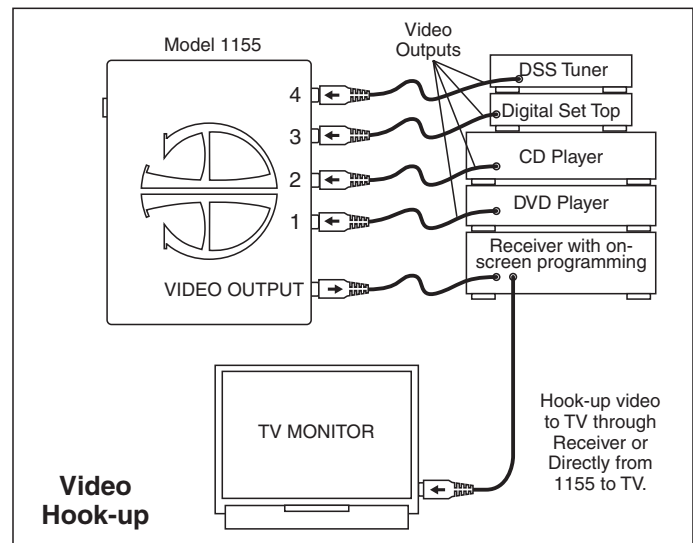
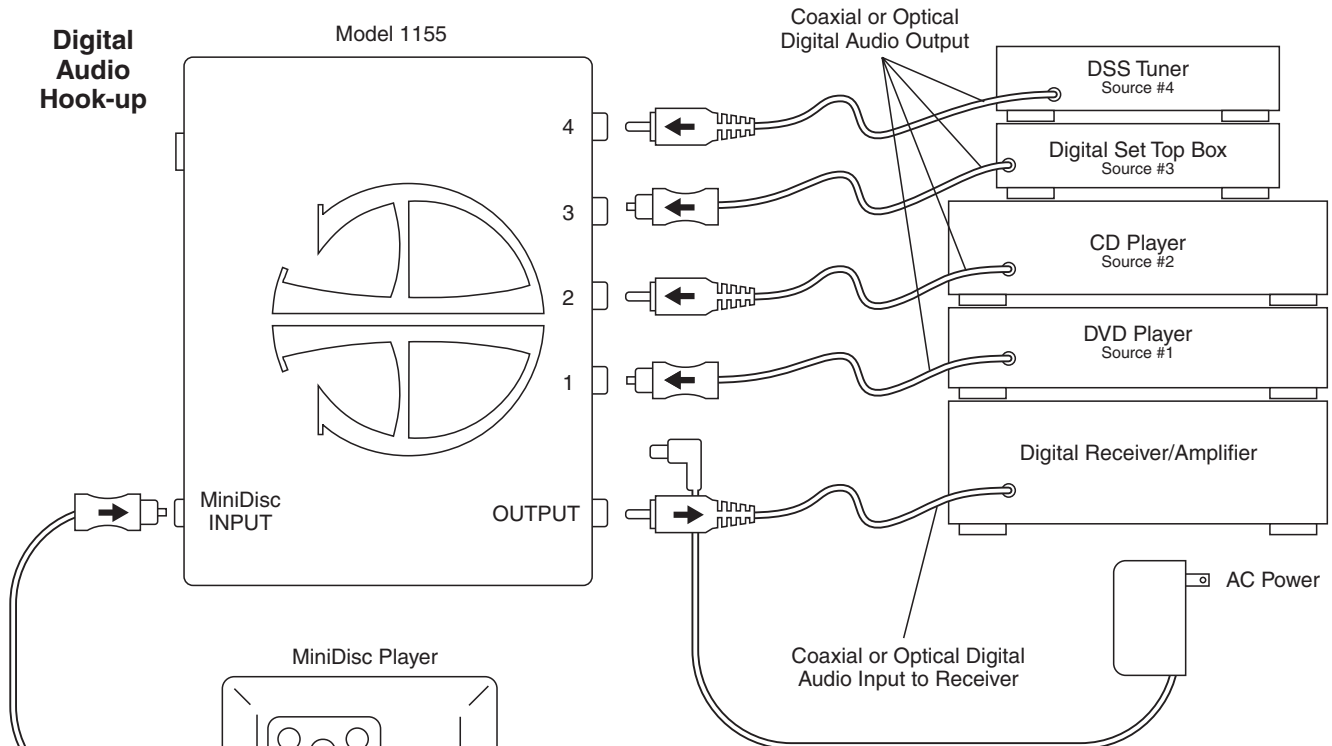


Model 1155 Hookup Instructions

Connect any 4 sources' digital audio outputs to the 1155 coaxial (RCA) or optical (TosLink™) inputs, and connect the video outputs to the 1155 inputs. Since the 1155 "autoselects" the source from which it senses any digital audio signal, connect the sources in accordance with your preference of priority for the autoselect feature. Many source components transmit a carrier signal even when the play button is not on. So if one source, such as a DSS Tuner, is always on, other sources should have higher priority. Connect the lowest priority source to position #4 and the highest priority to position #1. (The MiniDisc input is always the highest priority, so be sure to turn the MiniDisc Player off when not in use.)

Now connect the 1155 audio output to your digital receiver (either coax or optical) and connect the 1155 video output directly to your TV, or through your receiver and then to your TV. Apply AC power to the 1155 and other components, and test the system. Turn on one source at a time and observe the desired automatic switching behavior. If you prefer to keep all components on, you can use the manual select button to switch between sources. Interpret the LEDs as follows: Green = Signal present; Red = Selected; Flash = Selected, No signal.



2048 Mercer Road, Lexington, Kentucky 40511-1071
 Phone: 859-233-4599 • Fax: 859-233-4510
 Customer Toll-Free USA & Canada: 800-322-8346
 Website: <http://www.audioauthority.com>