

Model 298 Source DC Offset KIT INSTALLATION INSTRUCTIONS

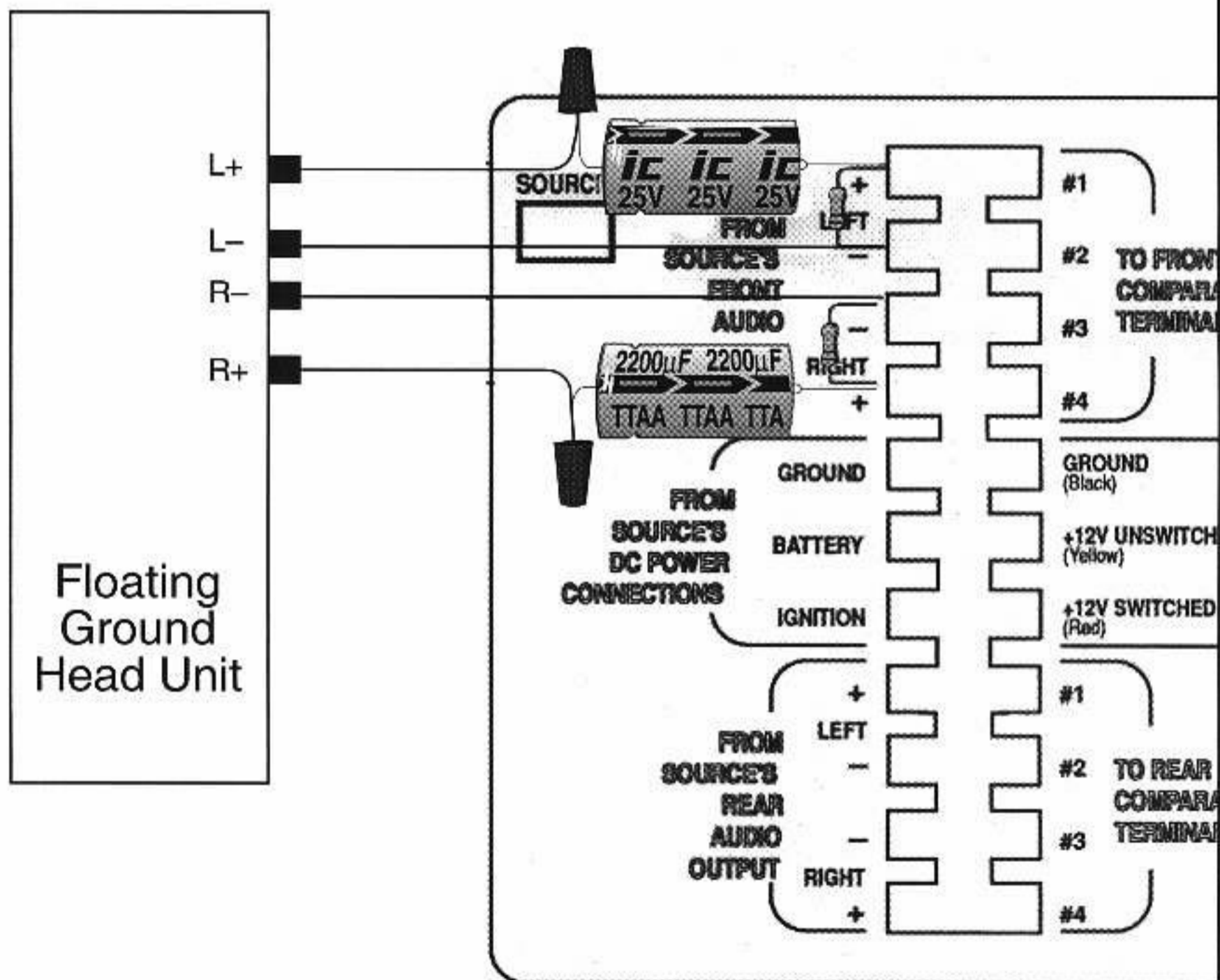
PURPOSE

Some high-powered sources have excessive amounts of dc present on their outputs, resulting in objectionable popping when selecting them with booster amplifiers. Certain brands seem to be most troublesome in this regard. When installed on the outputs of a unit of this type, the Model 298 Source DC Offset Kit equalizes the dc voltages presented to the Comparator, thus eliminating this source of popping. One 298 Kit is required for each pair of stereo outputs of such high powered sources.

INSTALLATION

Install a Model 298 Kit on the output of any high power source that exhibits unusual popping during selection with a booster amplifier. Separate Kits are required for front and rear outputs.

Referring to the illustration below, connect the two capacitors and two resistors between the source outputs and the source unit terminal block. Trim the leads of the components so that excessive bare wire is not present. Be sure to remove the kit when replacing the source with a unit which does not exhibit unusually loud popping during selection.



- 1) Parts should be inserted between deck and terminal block only.
- 2) Capacitor should be inserted between decks' (+) leads and terminal blocks' (+) positions.
- 3) Insert the resistor across (+) and (-) positions at the terminal block.