

# Model 906 and 906A Installation and Operation.

Model 906 control panel is designed to control a single product group in AccessEZ™ audio and video displays. The 906 can switch up to 99 products (with the appropriate number of switch modules), deselect products, and perform A/B comparisons. Multiple 906 Control Panels may be used in one system, each panel controlling a different product group (see Figure 3). Use Model 906A if you want to control one product group from two different room locations (Figure 1).

## Installation

Before permanent installation, set the GROUP rotary switch on the back of the 906 to match the product group number of the group it is to control. Set the slide switch to ELEX unless the 906 will be controlling Model 930, 932 or 934 speaker switching modules (e.g., Figure 1 and 3). Connect the 906 control panel(s) to any vacant system bus port and power up the system. When the system first boots up, the 906 displays the “product type” (E for electronics or S for speakers) and product group number, reflecting the switch settings on the rear panel. (Example: “E2”= Electronics Group Number 2.) Next the display reads, “Po” which indicates that the 906 is polling the system to see how many modules it can detect. After polling, it displays “- -” which indicates that no products are selected.

**Important:** If you change the settings on the address switches, you must reboot the system (disconnect, then reconnect DC power) to activate the changes.

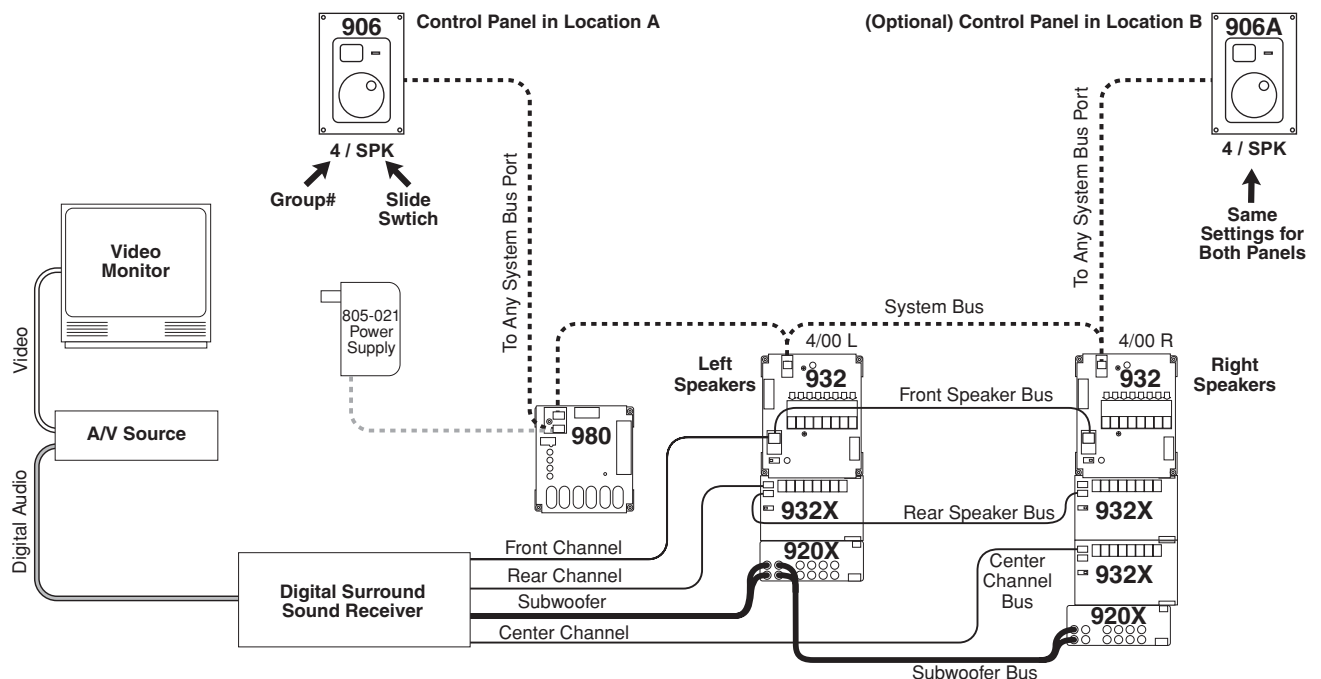
When a display has blank positions where product will not be connected, it may be desirable to reduce the number of products that the 906 can select. To customize the number of available positions, use a paper clip to press the setup button, located behind the pinhole in the front panel. Turn the knob to the highest position you wish to allow, and press the setup button again to save. The 906 will now remember the custom product number even after reboot. To return to the default settings, reboot with the SELECT PREVIOUS switch held down.

The 906 can be flush mounted in a wall, counter top or cabinet, or it can be mounted in a Model 989 control panel enclosure. To flush mount, cut a hole, 4-1/4” tall by no more than 3-3/4” wide. Connect the system bus to the System Bus port at the bottom of the rear panel, insert the 906 into the cutout, and use the included screws to secure it. Do not overtighten the screws or the panel may crack.

## Selecting Products

Select products on the 906 by turning the knob to the desired product number. The product is automatically selected after the knob stops rotating. To deselect, turn the knob to the “- -” position. When using a 906 and a 906A to control selections from two room locations, activity on one control panel will be reflected in the display of the other.

Figure 1. Home Theater Speaker Package Switching System. In this example, both panels control the same group.



## A/B Comparisons

The SELECT PREVIOUS button stores and recalls selections. If you wish to compare product #1 with #4, for example, follow the steps below. Figure 2 shows the 906 display after each step.

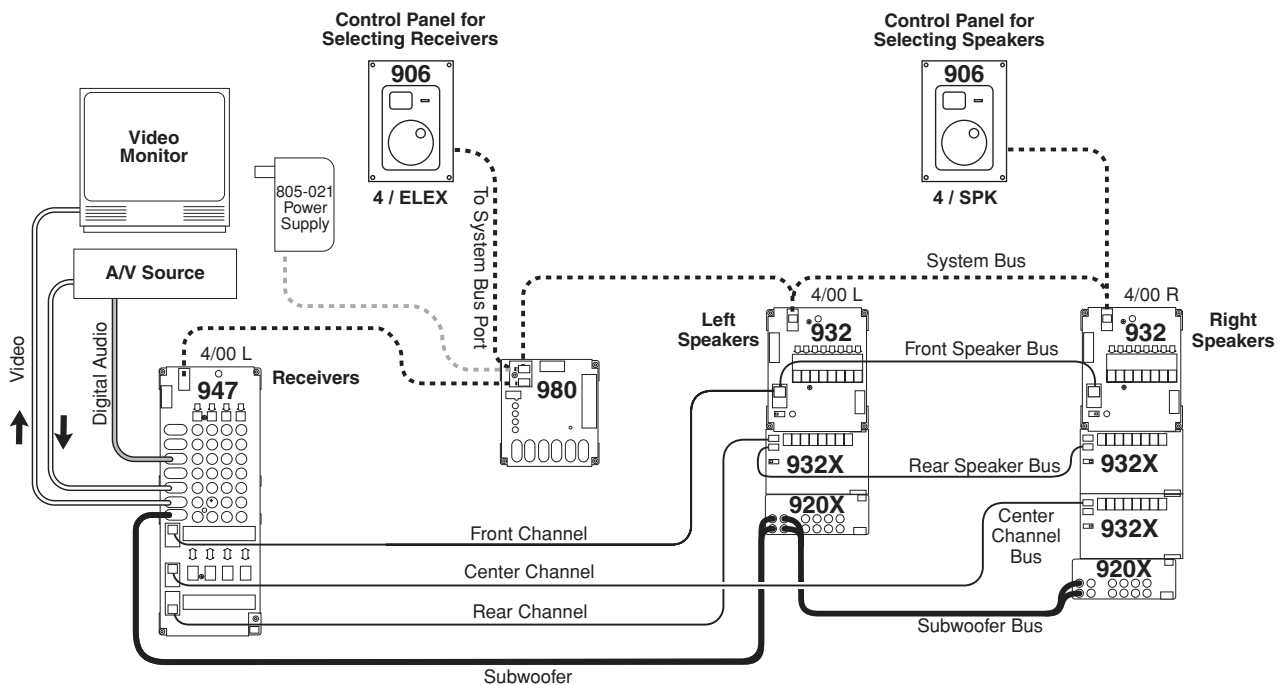
1. For the sake of this example, the starting selection is “--”, so turn the knob to that position.
2. Now select product #1.
3. Press the SELECT PREVIOUS button to store the number. The position number is stored, and the display returns to the previous selection, which was “--”.
4. Turn the knob to #4
5. Press the SELECT PREVIOUS button again.

Each time you press the button, the 906 stores your selection and then switches to the previous stored selection. Now you may press the button repeatedly to toggle between product #1 and #4. You may also compare a set of speaker pairs to play at once, and then compare that selection to another selection consisting of one or more speaker pairs.

Figure 2.



Figure 3. Switching system for 4 Receivers and 8 Surround Speaker Packages. Each panel controls a different group within the same system. Panels are differentiated by changing the Group setting, or in this case, the Slide Switch setting.



## Selecting Multiple Speaker Pairs

Select the first pair in the normal way. Then press and hold the SELECT PREVIOUS button while turning the knob to the product number you wish to add. Release the button. Now the display alternates between the first and the additional speaker pair. To deselect one of the speaker pairs, press and hold the SELECT PREVIOUS button and turn the knob to the product number you wish to deselect.

Note: If you are unable to select multiple speakers using the 906, check the speaker limit setting on the 980 module. The Access system is capable of selecting up to four speaker pairs at a time, but the 980 may be set up to limit the number to 1, 2, 3, or 4. In systems without a 980 module, the speaker limit is fixed at two.



2048 Mercer Road, Lexington, Kentucky 40511-1071  
 Phone: 859-233-4599 • Fax: 859-233-4510  
 Customer Toll-Free USA & Canada: 800-322-8346  
 Website: <http://www.audioauthority.com>

## For Assistance

Call Audio Authority Technical Service at 800-322-8346,  
 Monday – Friday 8:30 AM to 5:00 PM EST.

752-334  
 11/01