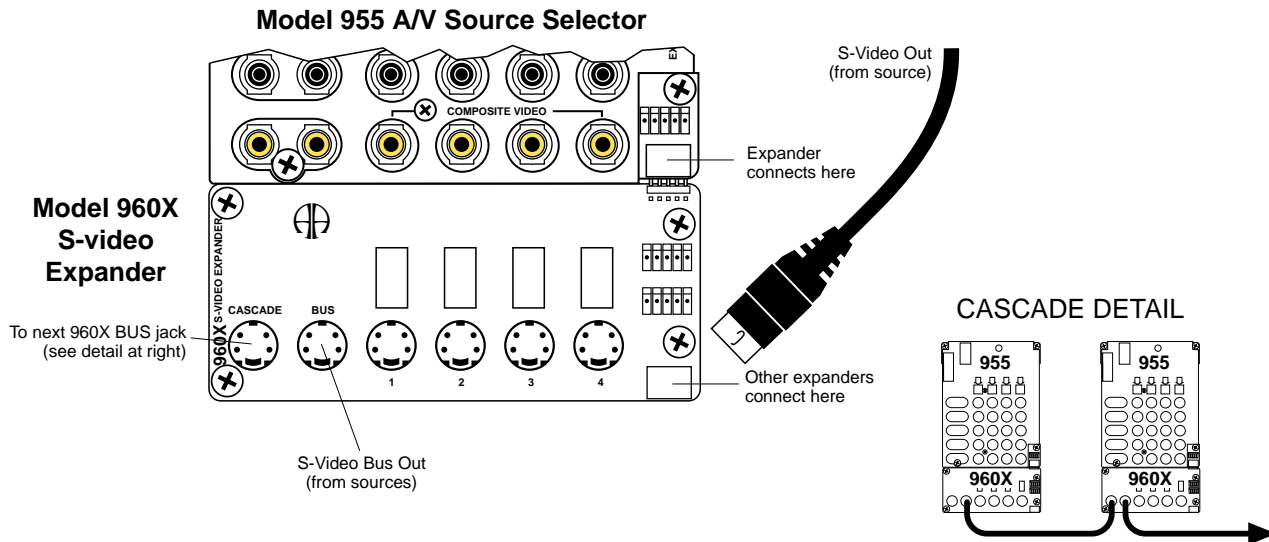


S-Video Source

This drawing shows a 958 A/V Source Selector with a 960X S-Video expander attached. Simply slide the expander up into the main module and mount with screws provided. Instructions for other types of module configurations are available if needed. Contact your Account Manager at the phone number below.



S-Video Receiver

This drawing shows a 947 Receiver Selector with two 960X S-Video expanders attached. One is for input, the other for output, so do not connect them with a bus cable. Simply slide the top expander up into the main module then slide the bottom expander into the top expander. More information is available if needed. Contact your Account Manager at the phone number below.

