

How to Use the 9A62 Component to RGB Video Converter

Model 9A62 is the latest addition to Audio Authority's growing line of audio and video converters for home theater. It converts progressive scan component video on three RCA jacks to RGB video on a VGA connector.

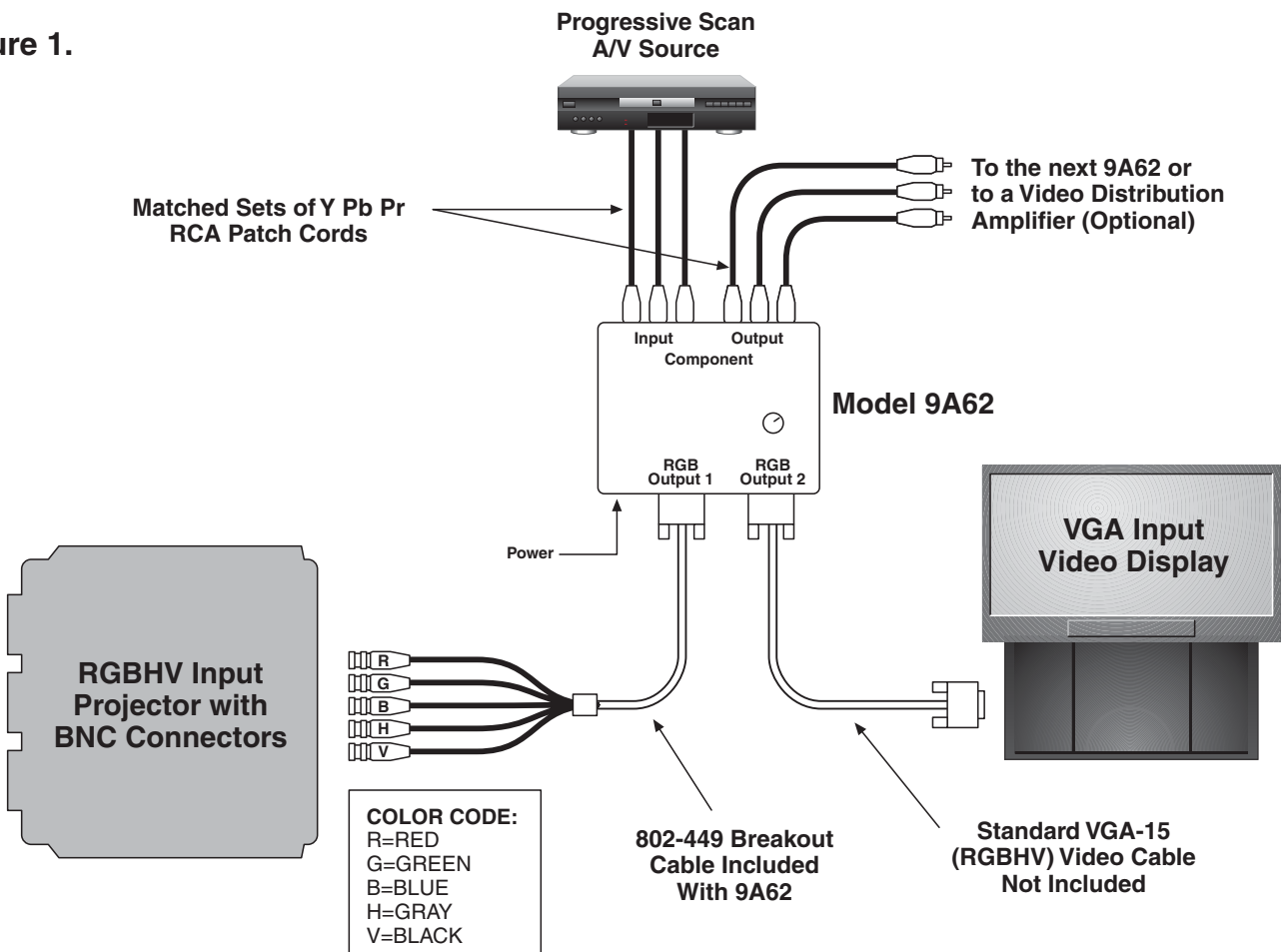
The Model 9A62 allows progressive scan DVD players with component video outputs (480p) to be connected to direct view and projection displays that require RGB inputs. The RGB output on the 9A62 can be connected using a standard VGA cable (not included). If the display is equipped with BNC inputs, the special breakout cable included with the 9A62 can be used. Color decoding complies with SMPTE Standard 274 (see Figure 1).

The 9A62 is not a format converter. It passes the horizontal and vertical synchronization timings and pixel content to the outputs without modification. A 480p component video source with a 9A62 requires your SDTV or HDTV monitor to accept a 480p RGB input.

Installation

First, connect the source to the Input jacks of the 9A62. Use included cables or other high quality matched sets of Y Pb Pr RCA patch cords. Next connect video display(s) to one or more of the RGB outputs, using a VGA cable which matches the input configuration on the video display on the other end. Adjust the RGB Mode switch (see Figure 2) to match the input configuration on the RGB video display(s) and apply AC power. Note: The RGB Mode switch affects both outputs equally.

Figure 1.



RGB Mode

The RGB Mode switch allows selection of two different sync modes, depending on the input configuration of the video display. Either the following video formats can be selected:

- RGBHV (Red, Green, Blue with separate Horizontal and Vertical sync)
- RGBS (Red, Green, Blue, with separate composite Sync on both H and V outputs)

Figure 2.



Specifications

(subject to change without notice)

Input: Y Pr Pb Component video on RCA jacks

Video Input: .7 volt p-p Y, +.35 volt p-p Pr and Pb

Synchronization: negative composite bi-level sync on Y input

Output: RGB video on standard VGA connector, color per SMPTE 274

Video Output: .7 volt p-p

Synchronization: unprocessed horizontal and vertical pulsewidth

RGBHV, separate horizontal and vertical negative TTL sync

RGBS, composite negative TTL sync on H and V output ports

Dimensions: 5.50" X 4.25" X 1.80" (H X W X D) not including mounting flanges

Included accessories: 6-foot RGB RCA patch cable, 6-foot VGA-to-five-BNC cable, 12 volt DC power pack.



2048 Mercer Road, Lexington, Kentucky 40511-1071
Phone: 859/233-4599 • Fax: 859/233-4510
Customer Toll-Free USA & Canada: 800/322-8346
Website: <http://www.audioauthority.com>

Other Audio Authority Converters

- Model 977R Optical to Coax Digital Audio Adapter
- Model 977T Coax to Optical Digital Audio Adapter
- Model 1177 Signal Sensing Digital Audio AutoSelector, with automatic optical/coax conversion
- Model 1155 Signal Sensing A/V AutoSelector, with automatic optical/coax conversion
- Model 9A60 VGA to Component Video Converter

752-367
6/01