

Model 9A85 Cable Ready Tuner

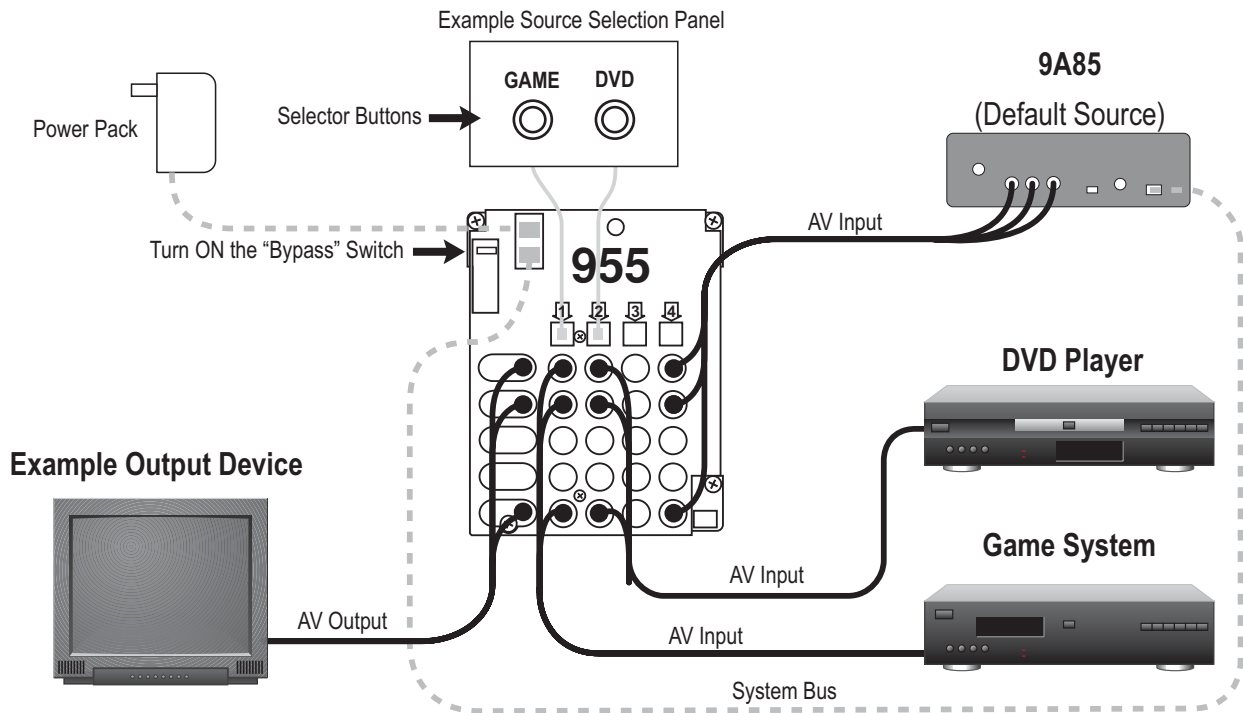
This compact TV tuner is designed to be the default source for mobile video displays, receiving either local network TV or a cable feed. In a system including the 9A85 as the default source, other sources such as DVD, CD, or FM radio may be selected using an AccessEZ switching system, and after an adjustable time-out period, the switching system automatically returns to bypass position, (ie. the default source, see Figure 1 and 2).

Installation

Connect a TV antenna or cable feed to the Antenna Input jack. Connect Video, Left and Right outputs to desired output device (e.g. a TV monitor) or A/V signal distribution system. To use in conjunction with an AccessEZ switching or distribution network, connect the System Bus port to a vacant System Bus header on any switch module. To use independently, connect 805-021 power pack to the 9A85 System Bus/12V port.

The wiring diagram below shows how to integrate the 9A85 into an AccessEZ Demonstration Network as the default source. For example, if you would like to be able to select a DVD player, or a video game system, but have the monitors display the 9A85 output as a default, connect the sources to an A/V switch module such as Model 955. The "Bypass" switch must be turned ON, and the desired default source must be connected to position #4 (the bypass position) on the switch module.

Figure 1. 9A85 as default source.

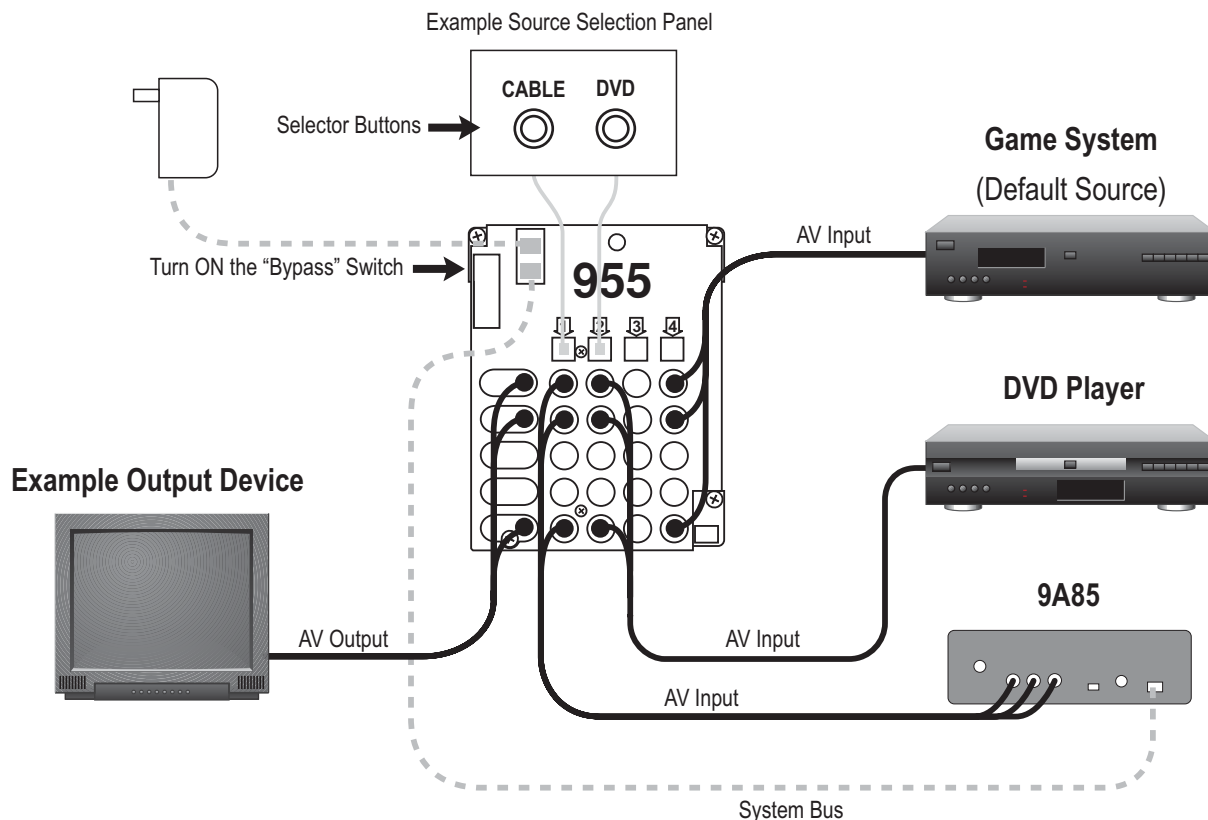


2048 Mercer Road, Lexington, Kentucky 40511-1071
Phone: 606-233-4599 • Fax: 606-233-4510
Customer Toll-Free USA & Canada: 800-322-8346
Website: <http://www.audioauthority.com>

752-422
6/02

The default source timeout feature may use a source other than the 9A85 as the default. For example, if you would like to be able to select a DVD player or Cable TV, but have the monitors display the video game as a default, connect the sources to an A/V switch module in the configuration shown below. Make sure the desired default source is connected to position #4 on the switch module, and the "Bypass" switch is ON.

Figure 2. Game system as default source.



Operation

Set slide switch to CABLE for normal cable tuning, or ANTENNA for "off air" tuning.

Press the UP button to increase selected channel number. Press the DOWN button to decrease selected channel number.

To set the default source time out, press and hold the PROGRAM button until the display flashes. Use the UP and DOWN buttons to adjust the display to show the desired timeout interval in minutes. NOTE: values 30, 60 and 90 are 30 seconds, 60 seconds and 90 seconds respectively.

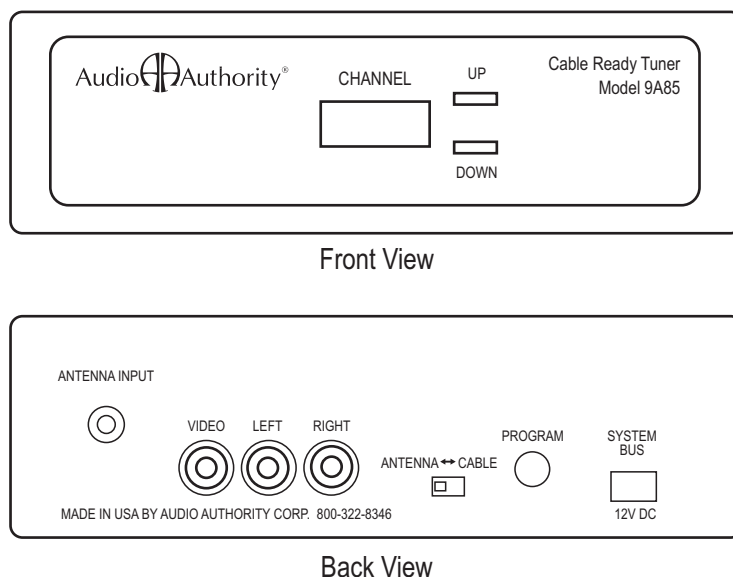


Figure 3.