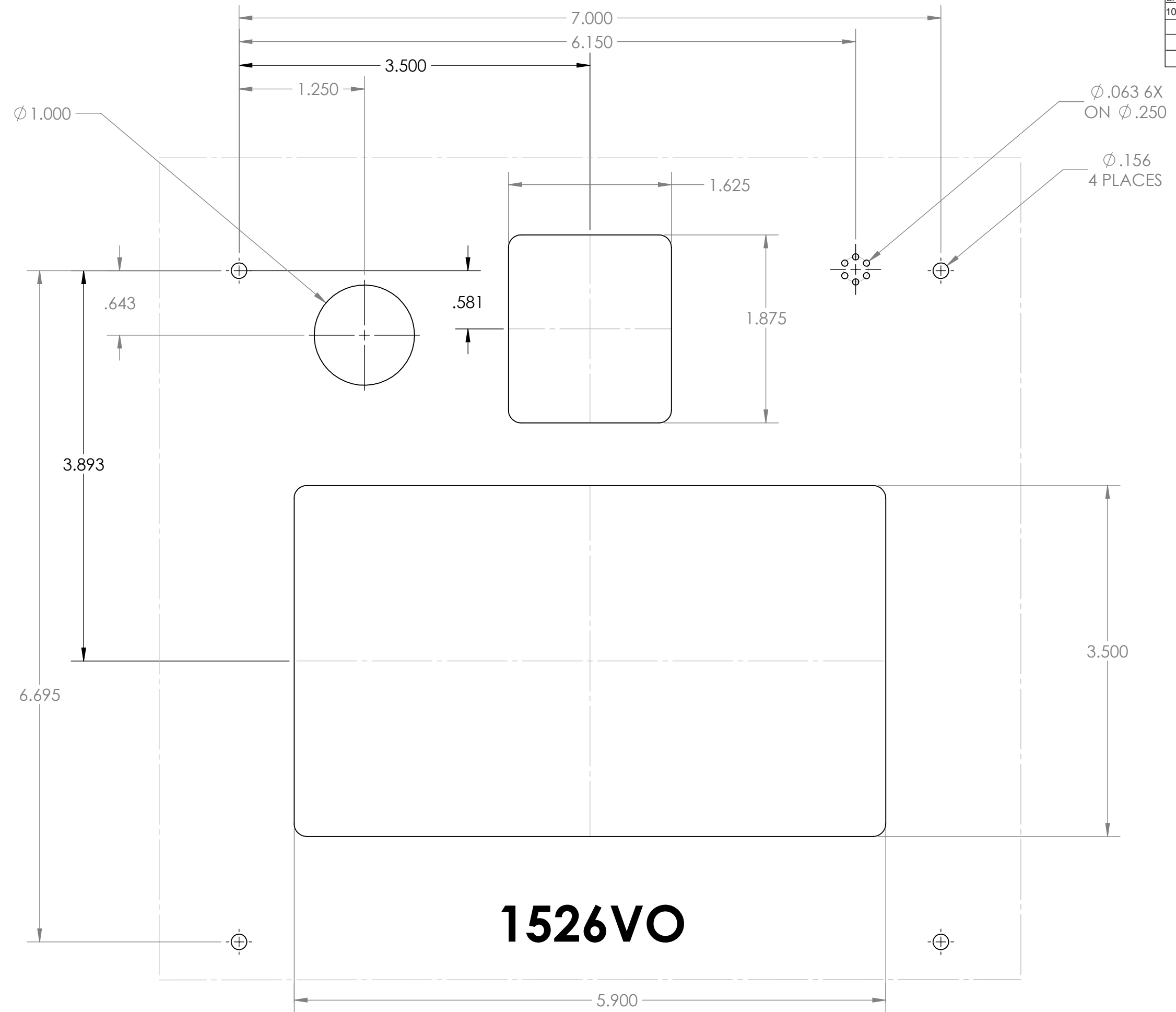


DATE	LTR	REVISION RECORD	AUTH	DR	CK
10/25/13	A	Release		DAF	



1526VO

Note: For 1526VO ignore call button and microphone openings.

Part Number 1526VO	Scale 1:1	Drawn By DAF	Checked
Title 1526VO or 1526AVO Cutout Template			
Date 10-25-13	Drawing No. E-121	Sheet 1/1	Rev. A