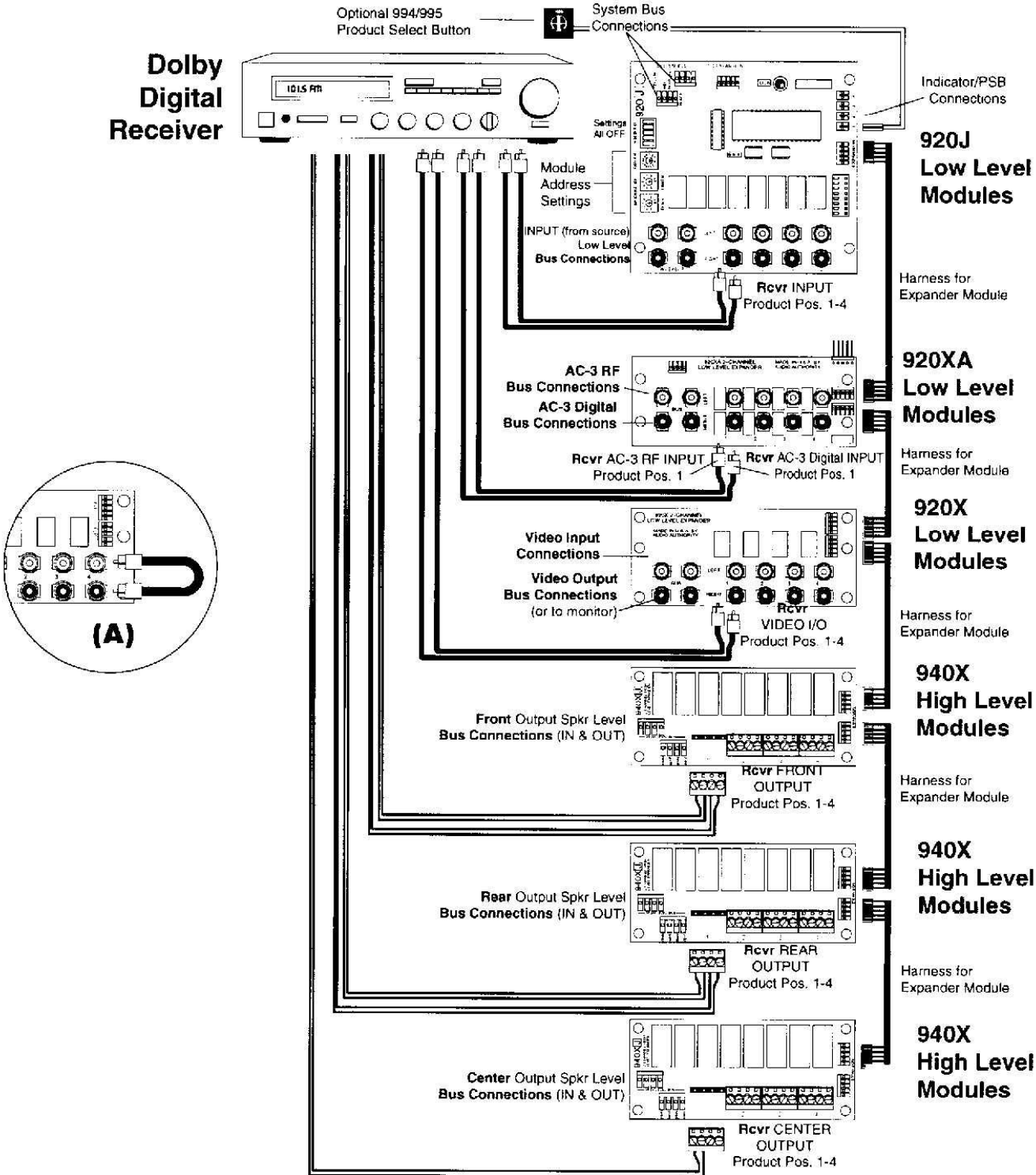


# AC-3 Receiver: RF, Digital; Front/ Center/ Rear; Video On-Screen.

This layout applies to Dolby Digital® Receivers with On-Screen Programmability. Use 920XA modules to switch AC-3 signal(s). The AC-3 RF signal is switched through the white jacks, and the AC-3 digital signal (baseband) is switched using the red jacks (as shown). If some of the receivers you are connecting to the system do not have On-Screen Programming, a video loop (bypass) should be established for that product position (see example A). For stereo receivers, connect the outputs to the 940X module for Front Channels. (The other 940X modules are not used for stereo receivers). Instructions for other types of surround sound configurations are available if needed. Contact our Sales department at the phone number below.



Technical Assistance: Mon-Fri 8:30 AM to 5:00 PM Eastern Time  
 USA & Canada 1-800/322-8346 or 606/233-4599 • Fax: 606/233-4510