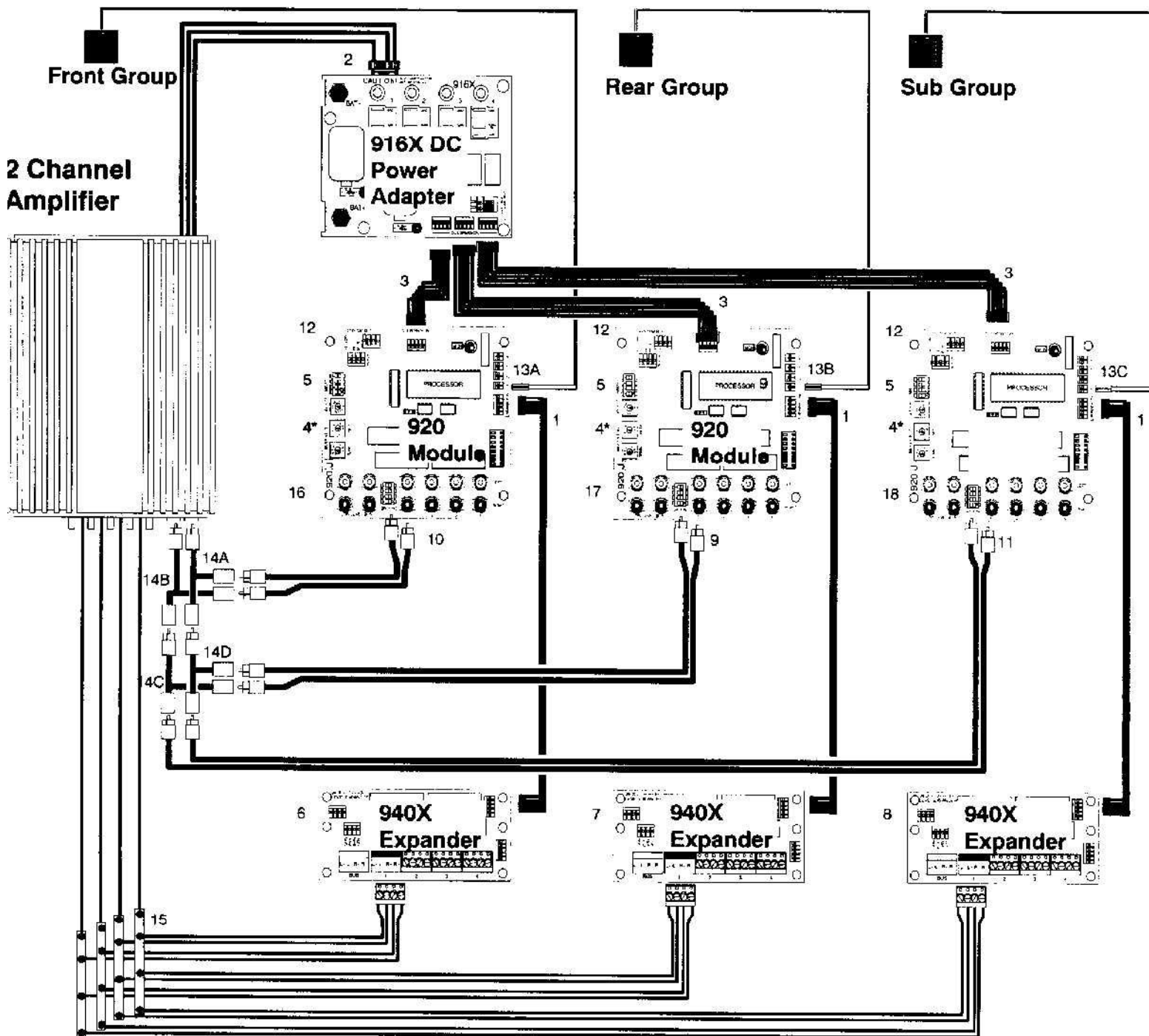


AMPLIFIERS / 2 Channel AMP SHARING Mode:

2 channel amps can perform as separate & independent products in three different Product Groups.

* The Module Address Settings for these amplifiers should have the same 'Tens' and 'Units' numbers but the group number for each should be different. For example, if the front 920 group number is '2', then the rear 920 group number would be '3' and sub would be '4'. The same amp can be selected in only one group at a time.



1 Harness for Expander Module
2 Amp (pos #1) DC Connections Switched + (Yellow) Battery (Red) Ground (Black)

3 916X DC Expander Connection Harness
4 Module Address Settings
5 Settings for Bypass & Amp Turn On Delay
6 Front High-Level Bus Connections

7 Rear High-Level Bus Connections
8 Sub High-Level Bus Connections
9 Rear Low Level Bus Connections
10 Front Low Level Bus Connections

11 Front Low Level Bus Connections
12 System Bus Connections
13A Front PSB Connections
13B Rear PSB Connections
13C Sub PSB Connections
14A Mono Y-Cable 1 M/ 2F

14B Mono Y-Cable 1 M/ 2F
14C Mono Y-Cable 1 M/ 2F
14D Mono Y-Cable 1 M/ 2F
15 (4) Speaker Level Splices
16 Front Low Level Bus
17 Rear Low Level Bus
18 Sub Low Level Bus

Technical Assistance: Mon-Fri 8:30 AM to 5:00 PM Eastern Time
USA & Canada 1-800/322-8346 or 606/233-4599 Fax: 606/233-4510