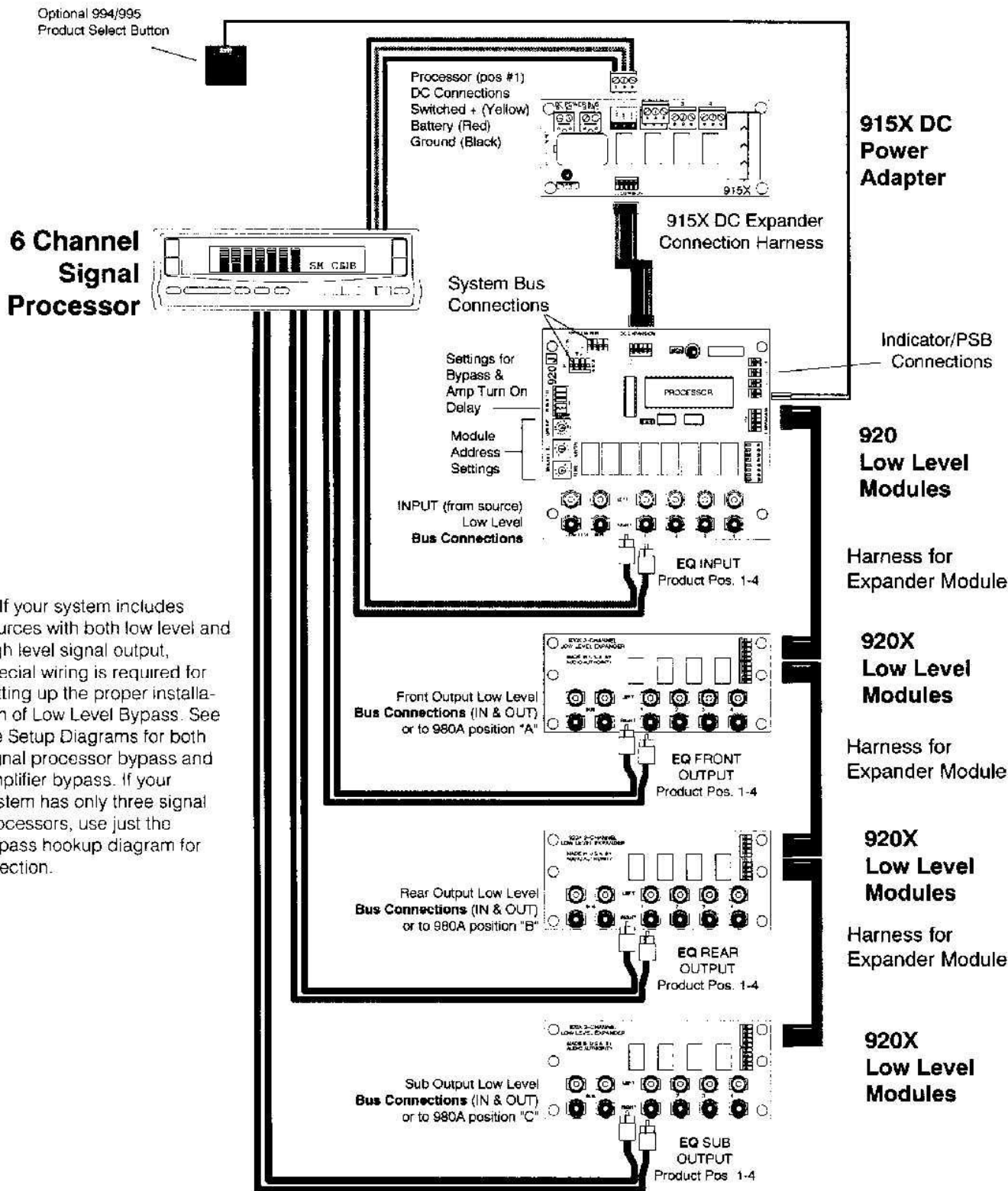


EQ/Signal Processors: 2 Channel Low Level Input / 6 Channel Low Level Output

The same layout applies to a 4-channel or 2 channel processor product group except in a 4 channel group there will be one less 920X expander and two less 920X expanders in a 2 channel group. The Low Level bus connections on the 920X expanders should be routed to the corresponding bus connections on the next module in the product group or the Model 980A System Module*** (front 920X bus to position "A" on the 980A, rear bus to position "B" & Sub bus to position "C"). See Model 980A Setup Diagram for the next step of installation.



***If your system includes sources with both low level and high level signal output, special wiring is required for setting up the proper installation of Low Level Bypass. See the Setup Diagrams for both signal processor bypass and amplifier bypass. If your system has only three signal processors, use just the bypass hookup diagram for direction.