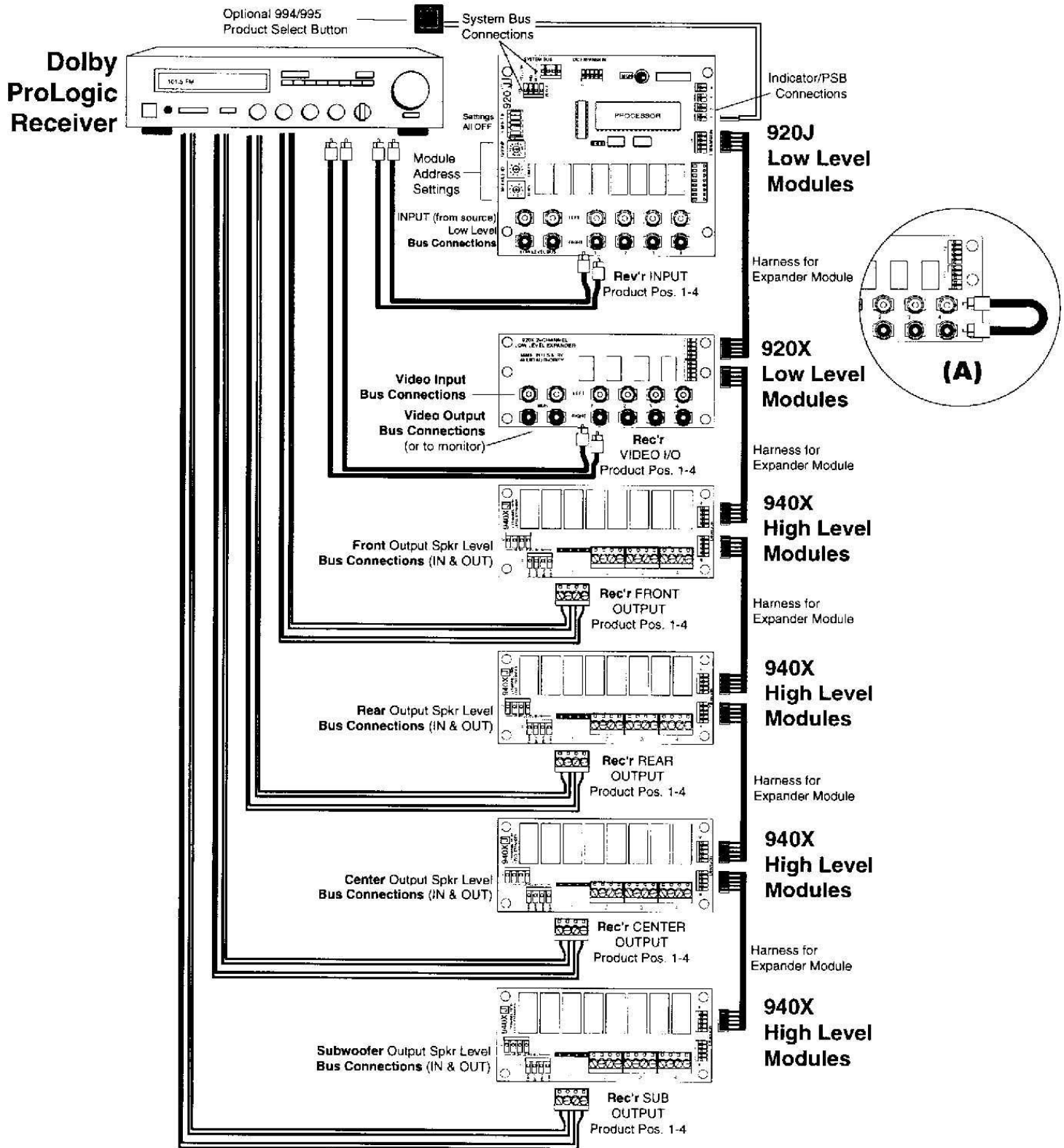


ProLogic™ Receiver: Front/ Center/ Rear/ Sub Speaker Level Out; Video On-Screen.

This layout applies to Dolby ProLogic™ Receivers with On-Screen Programmability. If the system you are installing has receivers without On-Screen Programming, a video loop should be connected like position "4" on the 920X module in example (A). Receivers that are NOT ProLogic, but Stereo only, will use only the 940X module for Front Channels. The other 940X modules are unconnected to those stereo receivers. Instructions for other types of surround sound configurations are available if needed. Contact our Sales department at the phone number below.



Technical Assistance: Mon-Fri 8:30 AM to 5:00 PM Eastern Time
 USA & Canada 1-800/322-8346 or 606/233-4599 • Fax: 606/233-4510