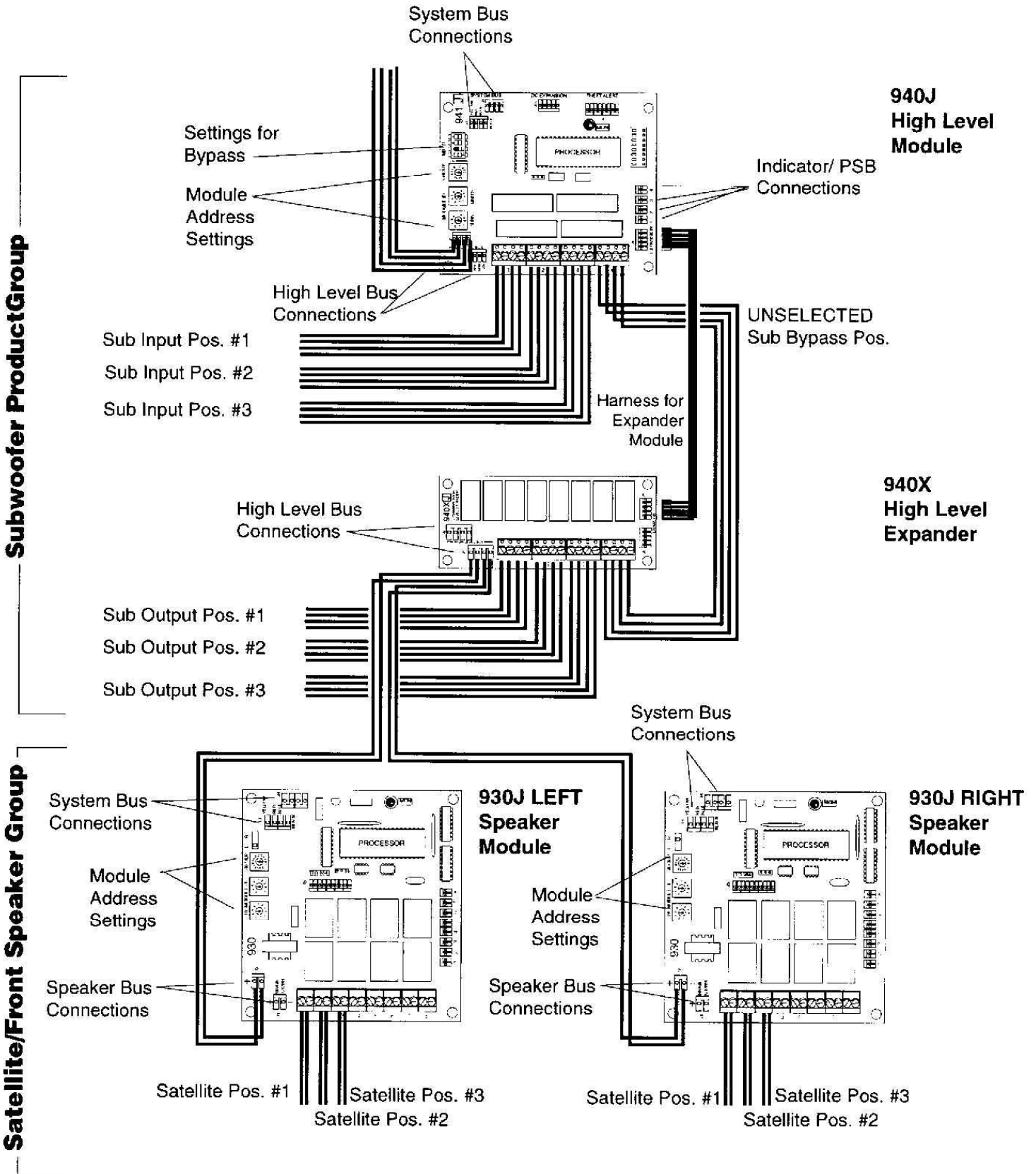


Separate Subwoofer/Satellite Speaker Switching Setup:

Model 940 and 940X are configured to simultaneously select the signal input and high-pass output of the desired subwoofer with internal crossover or to completely bypass the subs and route full-range signal directly to the satellite speakers. In either case, the satellites are selected separately from the subwoofers via the 930 speaker modules.



Technical Assistance: Mon-Fri 8:30 AM to 5:00 PM Eastern Time
 USA & Canada 1-800/322-8346 or 606/233-4599 • Fax: 606/233-4510