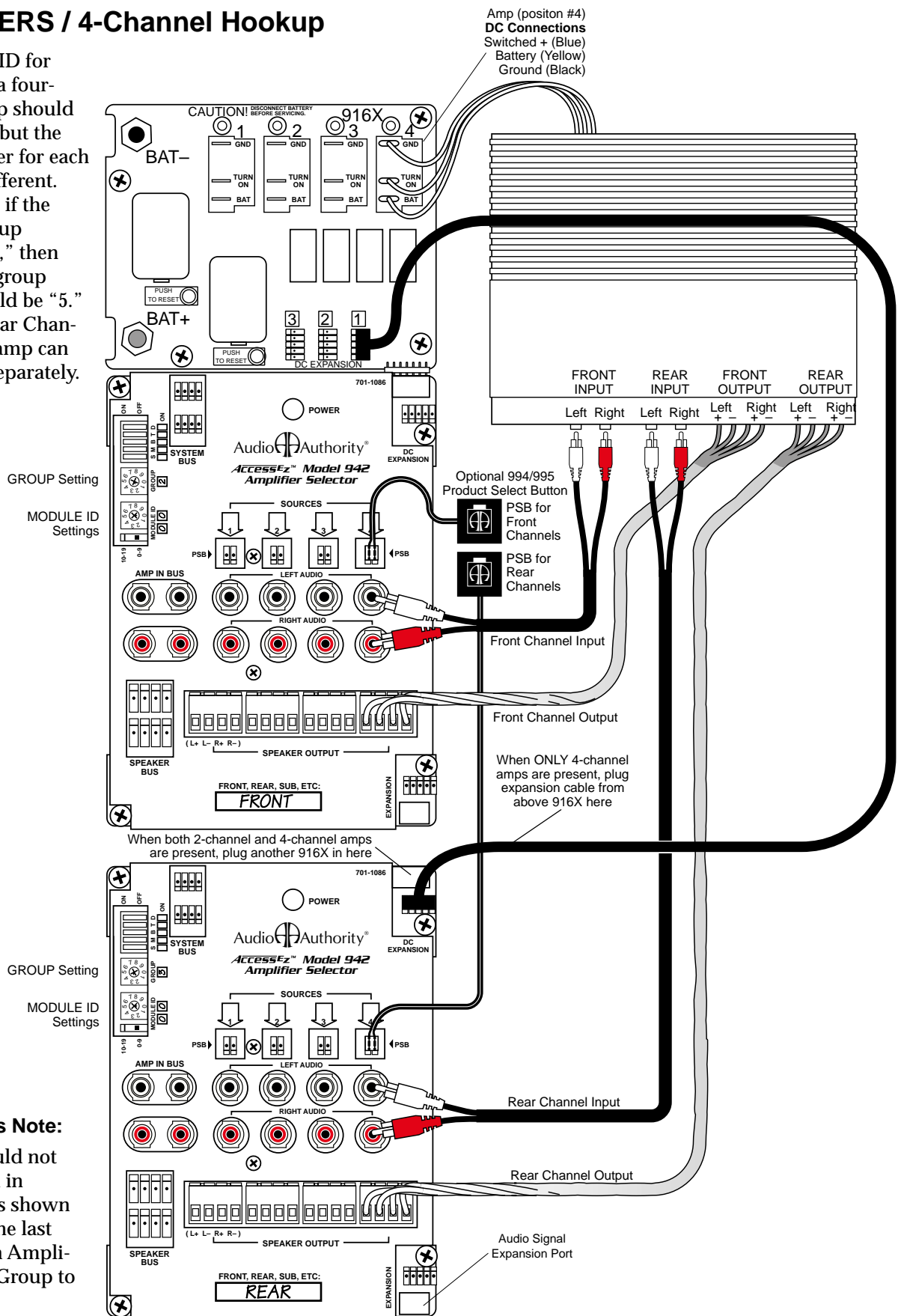


AMPLIFIERS / 4-Channel Hookup

The Module ID for both 942s in a four-channel setup should be the same, but the group number for each should be different. For example, if the front 942 group number is "4," then the rear 942 group number would be "5." Front and Rear Channels of each amp can be selected separately.



Amp Bypass Note:
This amp could not be connected in position #4 as shown if this were the last module in an Amplifier Product Group to be bypassed.