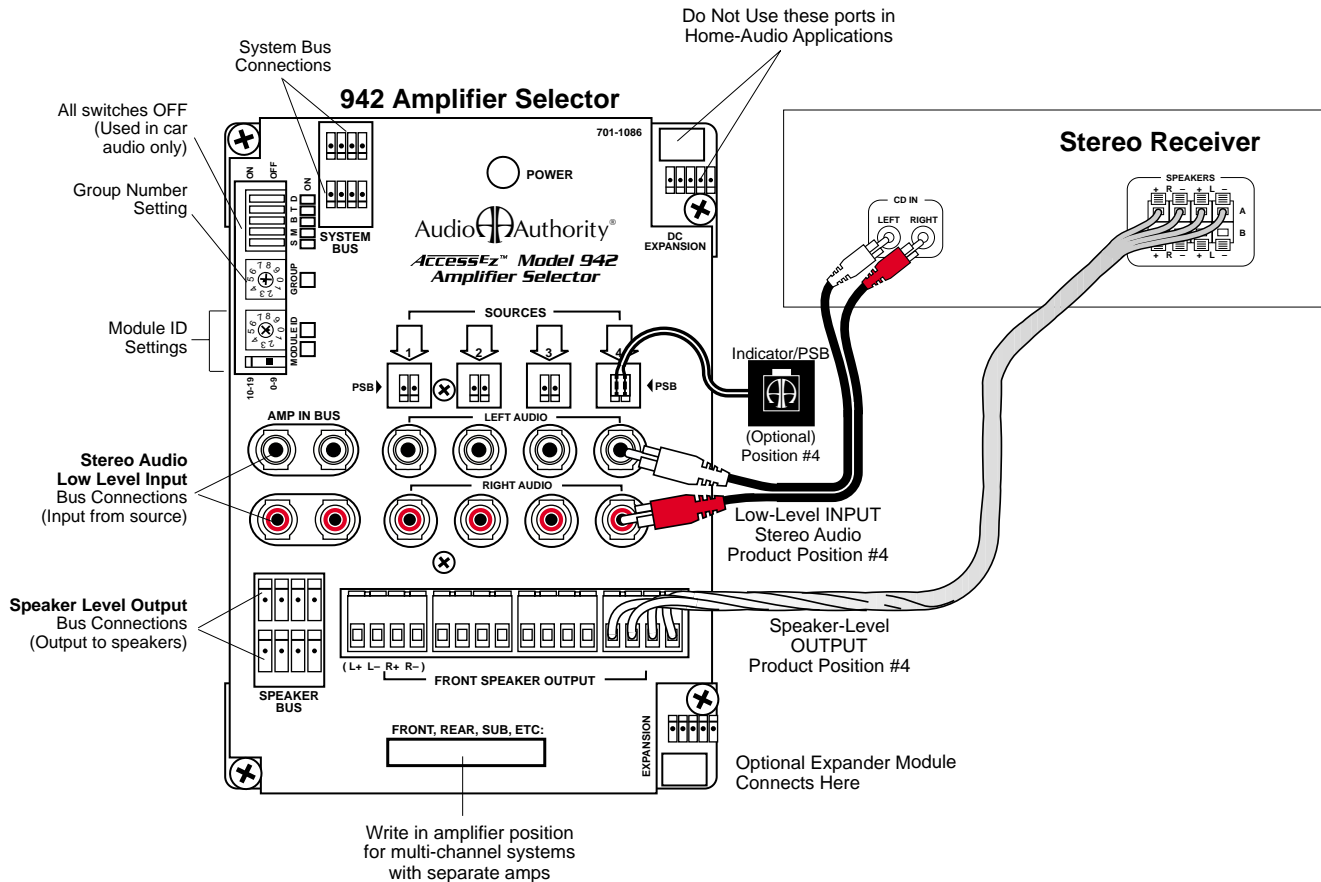


Stereo Receiver

This diagram shows connections to two-channel receivers or amplifiers. To demonstrate receivers with more than two channels, see the drawing for Dolby Digital and ProLogic Receivers. Instructions for other types of two-channel receiver or amplifier configurations are available if needed. Contact your Account Manager at the phone number below.



| Wire Color Code | | | |
|-----------------|----|-------|----|
| Green | L+ | Brown | R+ |
| White | L- | Gray | R- |