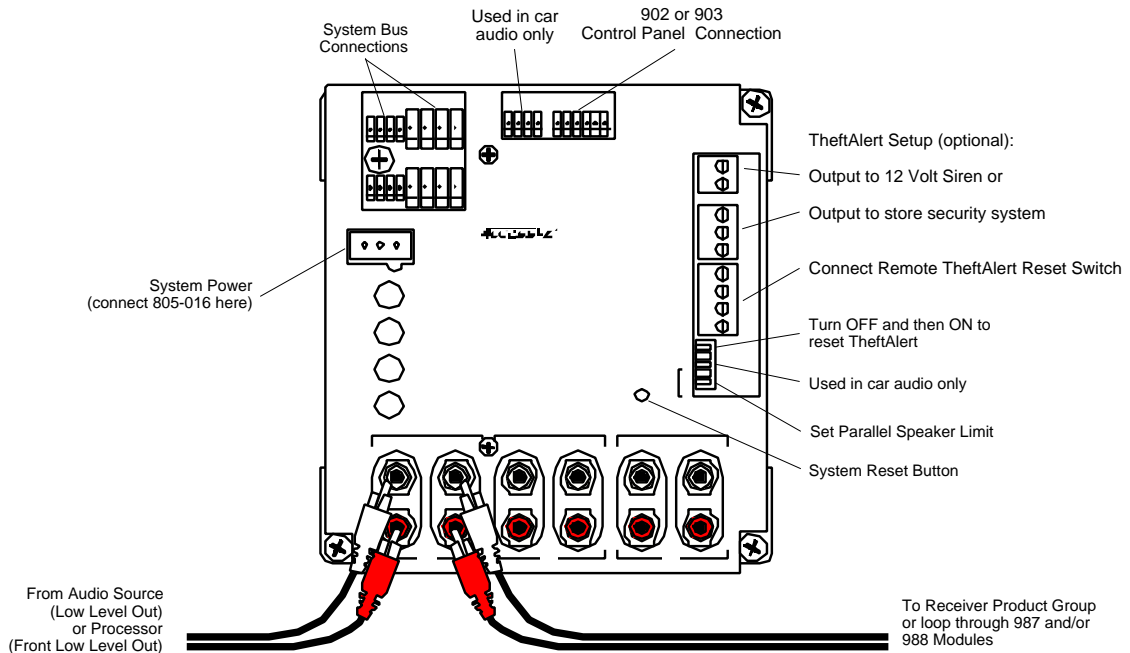


Model 980 System Module

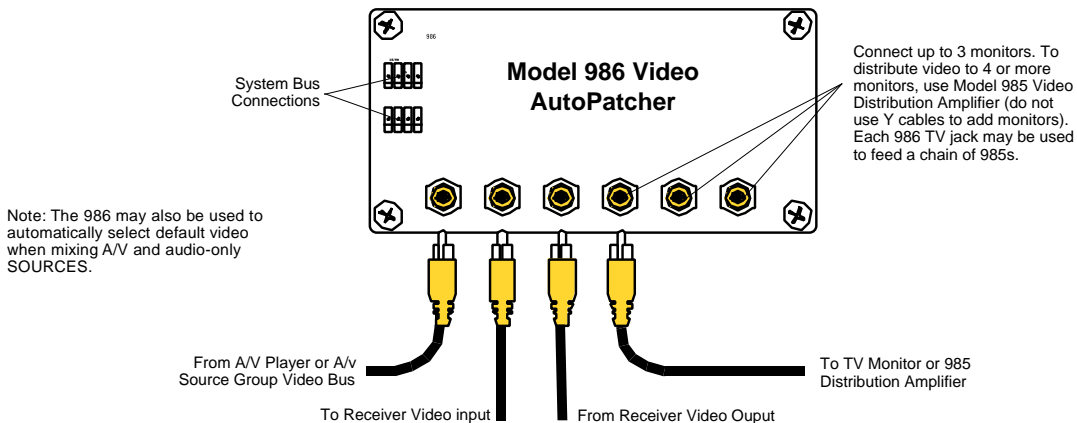
In addition to SilenTouch™, the 980 performs several other system functions, and provides a connection point for Control Panels and system power. To connect a 4904 Control Panel, install a Model 988 Volume Control Module. In systems using the 988 Volume Control Module, you may omit the 980 unless you need TheftAlert™ or a parallel speaker limit other than two.

Concerning signal path, the Model 980 will be located just before the Receiver Product Group in the Left/Right Audio Bus. Do not connect any digital audio or video cables to the 980. If a 987 or 988 module is present in a system with a 980, they will be placed between the 980 and the Receiver Product Group. In this configuration, the Front Inputs and Front Outputs are the only Low-Level connections that are used.



Model 986 Video AutoPatcher

Senses non-GUI receivers and routes source video signals directly to the monitor. Connect in the video signal path between the Source Group and the Receiver Group, and connect up to 3 TV monitors. Each TV monitor output is also capable of providing video signal for 985 Distribution Amplifiers.



Audio Authority® Tech Support USA and Canada: **800-322-8346** (Mon-Fri 8:30 AM to 5:00 PM Eastern Time)
 Phone: 606-233-4599 Fax: 606-233-4510 Hookup drawings and FAQ <http://www.audioauthority.com>