

Soundbar Vignettes and Endcap Displays

Intuitive Demos Wherever You Need Them

The Audio Authority® 1720 Series provides several options for soundbar-vs-TV sound demos. A single 1720T distributes AV signals to four 1720R demo receivers – each 1720R demonstrates one soundbar. The system can be expanded to 8, 12, 16 or more separate soundbar demo locations.

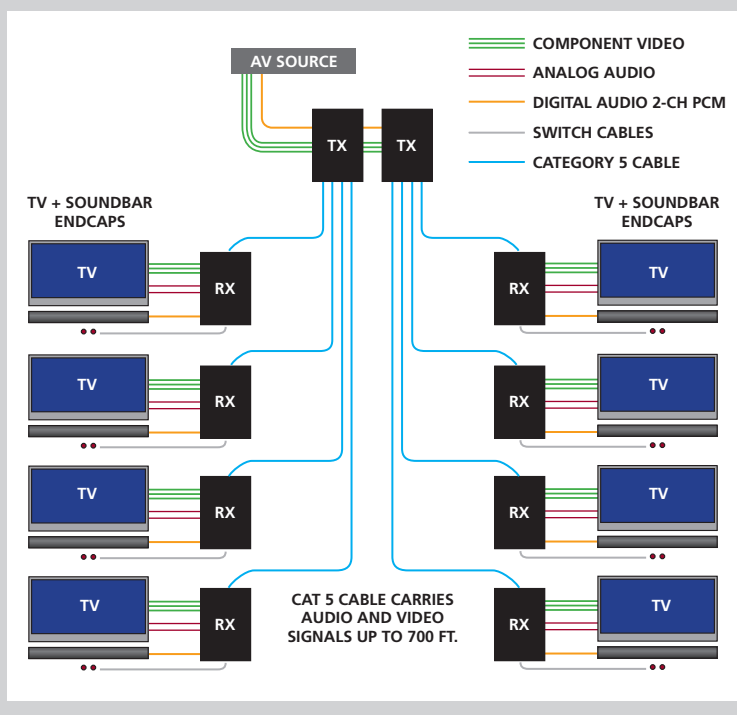
A simple A/B comparison is ideal for self-service endcaps or vignettes using either one button to toggle between soundbar and TV sound or two buttons to select TV sound or soundbar manually. You can also use just one button press to start an “auto-demo” that plays TV sound, then soundbar, and then shuts off by itself. The time intervals are adjustable on each demo receiver. These powerful demos make soundbars a very attractive upgrade for every TV buyer.



MODEL 1720R
DEMONSTRATION
RECEIVER

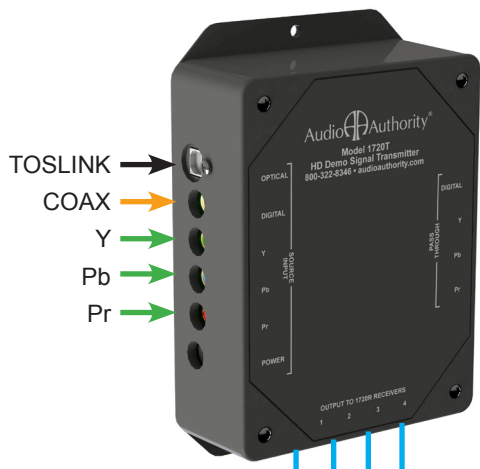
MODEL 1720T
FOUR-OUTPUT
TRANSMITTER

1720 Series Example System: Eight Soundbar Endcap Demos



FEATURES:

- Two-button mode switches manually using one discrete button for TV sound another for soundbar
- One-button mode toggles manually between TV sound and soundbar
- Auto-demo mode requires just one button press to start TV sound, then switches to soundbar sound after an adjustable interval
- Each receiver end-point can be set up with customized demo features
- Two-channel PCM digital audio is required at the transmitter, while the receiver offers coaxial and optical digital connections for the soundbar, and analog audio for the TV.
- HD clarity and vivid color are preserved as Component Video is transmitted via Cat 5 with cable length compensation.
- One Cat 5 cable carries digital audio and HD video to each receiver location
- Transmitters can be cascaded to serve additional receivers in increments of four



TRANSMITTER MODEL 1720T

- COMPONENT VIDEO INPUT
- DIGITAL AUDIO (TOSLINK OR COAX) INPUT
- FOUR CAT 5 RECEIVER OUTPUTS
- TRANSMIT RANGE UP TO 700 FEET
- BUS EXPANSION TO ADDITIONAL 1720T TRANSMITTERS

TO OTHER
SOUNDBAR
RECEIVER
LOCATIONS

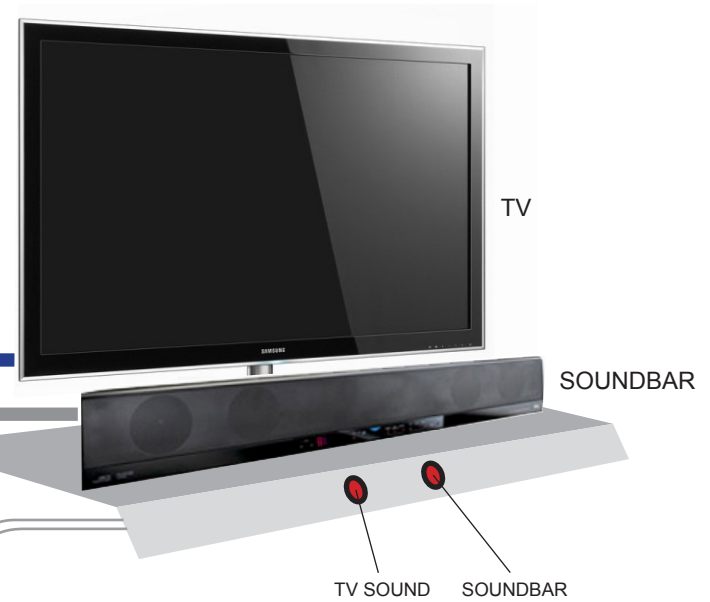
CAT 5 700 FT.

COMPONENT VIDEO TV AUDIO

SOUNDBAR AUDIO

PRODUCT SELECT BUTTONS

ANALOG, TOSLINK AND COAX



PRODUCT SELECT BUTTONS

- ILLUMINATED PUSH-BUTTON
- TWO BUTTON MODE (SHOWN)
- ONE BUTTON MODE
- AUTO-DEMO MODE

RECEIVER MODEL 1720R

- CAT 5 INPUT
- COMPONENT VIDEO OUTPUT
- DIGITAL AUDIO (TOSLINK OR COAX) OUTPUT
- ANALOG OUTPUT (GENERATED FROM DIGITAL AUDIO)
- TV AND SOUNDBAR SELECTOR BUTTON(S)

