

# 1819 Speaker Switch

## Speaker Demonstrations Made Simple

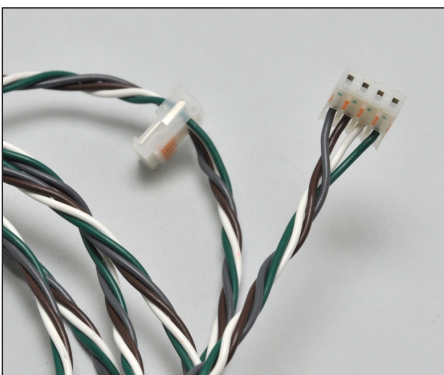
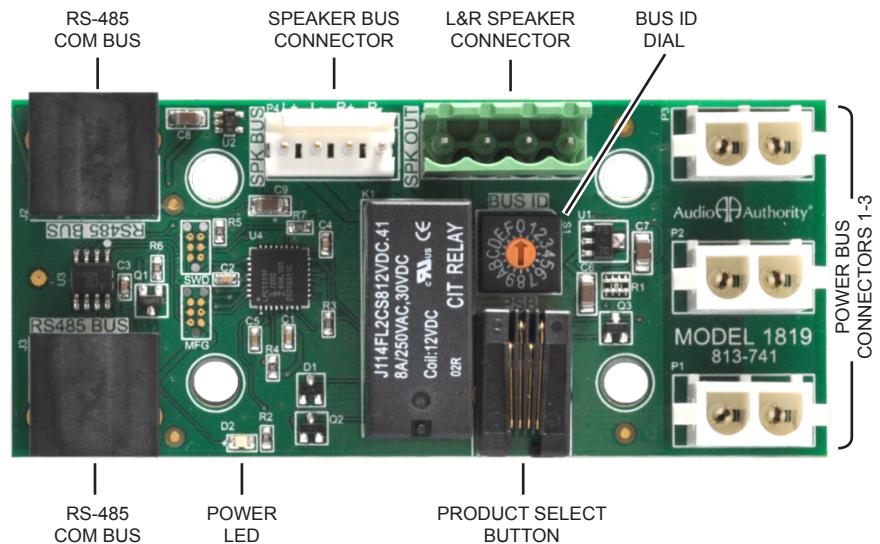
### Features

- Single position speaker switch - expandable to 16 positions
- Compact footprint for easy installation
- RS-485 control (compatible push-buttons sold separately)
- Each module may be mono or stereo
- 12V rail distributes power for head units on silent display

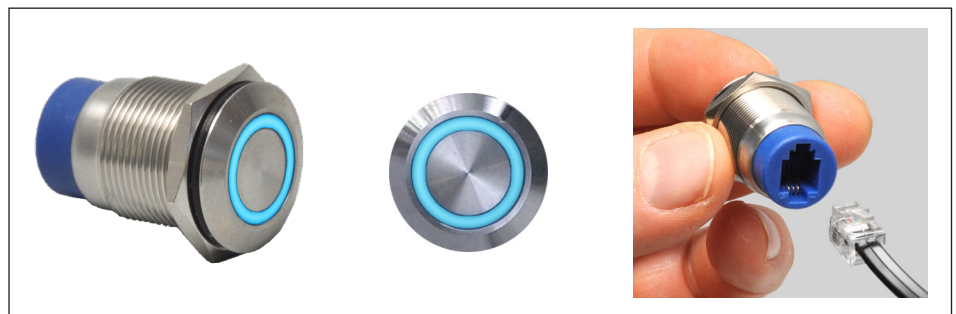
The Audio Authority® Model 1819 makes demonstrating speakers easy by locating the switching modules close to the merchandise, reducing wire and simplifying installation. For the most reliable demo, use a dedicated audio player such as the Model 1803. The 1819 can also be used in simple car audio presentations. It provides an isolated 12 volt bus to power each head unit for silent display.

### Specifications

- Dimensions (HxW, inches): 1.75 x 4.00
- Serial Communication: RS-485
- Push-Button Port: RJ9
- Removable speaker terminals
- Stereo speaker bus
  - Green = Left +
  - White = Left -
  - Brown = Right +
  - Gray = Right -



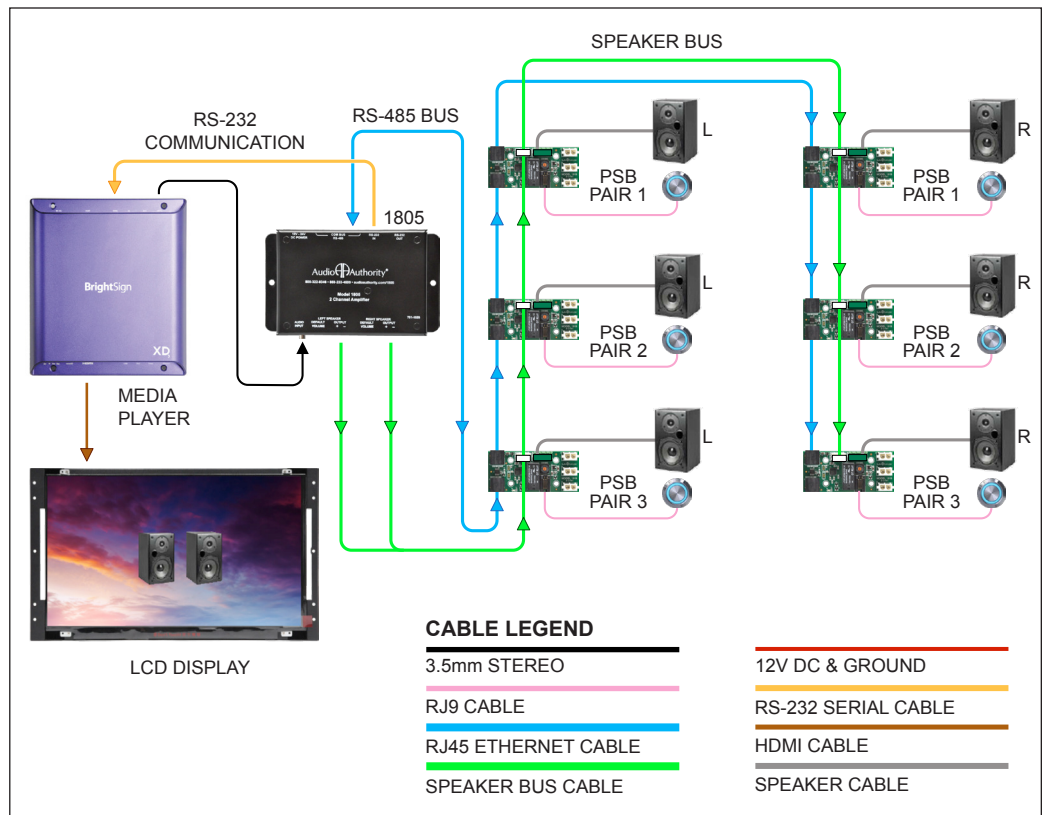
The continuous speaker bus provides left and right audio signals for easy installation.



The Model 013-100 Easy Plug push-button with RJ9 connector for easy installation and long term reliability.

## Example System 1: Stereo Speakers

A wide stereo demonstration of three speaker pairs via push-buttons. Each 1819 module switches one speaker of the pair and the corresponding module switches the other. The serial bus and RS-232 communication between the media player and the 1805 allows a custom video track to play when each product is selected.



## Example System 2: Car Speakers with Head Units

An audio demonstration with three speaker pairs and three silent head units. The 1819 provides an isolated 12 volt bus to power each head unit (other power connections are not shown). The serial communication between the media player and the 1805 triggers a custom video track to play when each product is selected.

