



1821

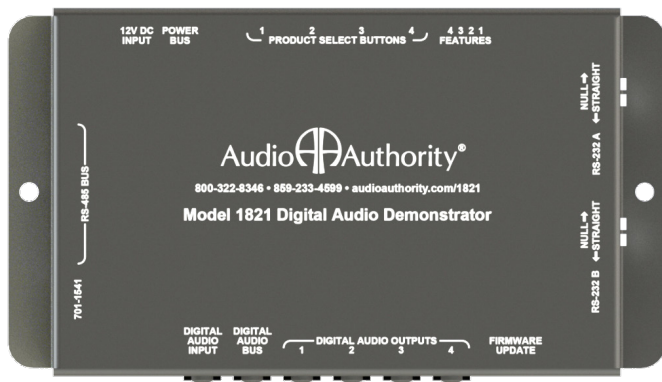
Digital Audio Demonstrator

Effective Digital Audio Demonstrations

Features

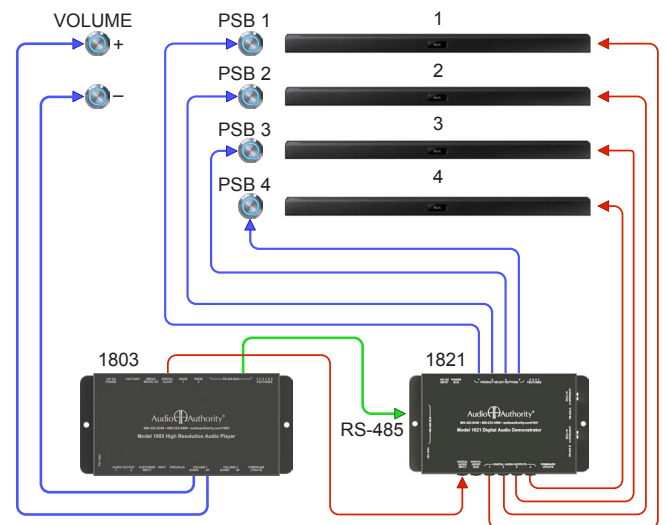
- Digital audio switching for four positions
- Distribution mode: one in, four out, all positions active
- RS-485 control (compatible touch panels sold separately)
- RS-232 control

The Audio Authority® 1821 Digital Audio Demonstrator accommodates four audio products. It provides digital Toslink® connections for input, bus output (for expansion capabilities), and four product outputs. Control the demonstration using push-buttons, TouchSelect panels, or via RS-232 using any compatible device.



1821 Example System: Compare Four Soundbars

This system configuration switches up to four soundbars using one audio source. Customers simply press the button next to each soundbar and adjust master volume using up and down buttons.



Specifications

- Dimensions (HxWxD, inches): 3.68 x 6.59 x 1.125
- RS-232 Communication: 57600 Baud rate
- Push-Button Ports: RJ9 modular
- Toslink® Digital Audio Ports (Optical)
- Input Voltage: 12VDC