



## HDMI Over Coax Extender

HDMI via four or five coax cables

Extend HDMI™ signals over coaxial cable without degradation with Audio Authority's **Model HCX-11**. The **HCX-11** is a two unit transmitter/receiver system designed to provide HDMI v1.3 signal transmission to remote locations over four coaxial cables, with power for the receiver from the transmitter unit via the fifth cable. For long distances, a power supply may be connected to the receiver. Use existing bundled coaxial cable to extend 1080p digital video and lossless audio up to 330 feet from the source. Perfect for applications where long distribution distances are required or coax is pre-installed. Supports high bitrate audio such as Dolby TrueHD and DTS:HD Master Audio, and 36-bit deep color video.

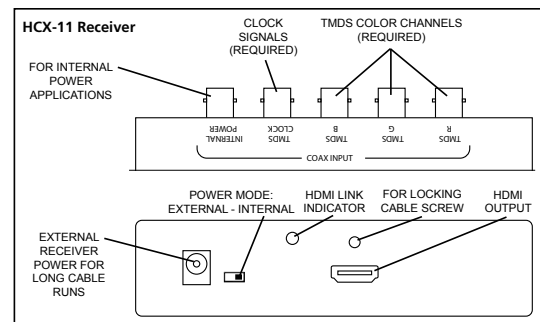
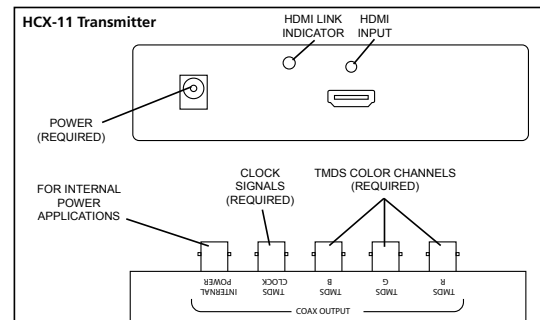
### HCX-11 FEATURES:

- Faithfully extends HDMI v1.3 signals over coaxial cable
- Compatible with HDTV signals from 480i through 1080p
- 1080p/24 bit color up to 330 ft, 1080p/36 bit to 245 ft
- Industry-leading Gennum ActiveConnect chipset
- Supports Dolby TrueHD, DTS:HD Master Audio, and LPCM high bitrate audio
- Receiver module can be powered from the transmitter module
- Only four coaxial cables are required when receiver is powered with its own external power supply (included)
- Use high quality RG6 or RG59 with BNC terminations
- Dimensions (HxWxD) : 1.2 x 4.9 x 4.33 inches (each unit)

### SPECIFICATIONS:

<b>RG-6 Tx Output, Rx Input:</b>	(5) via BNC
<b>Internal Power:</b>	12VDC via (1) coax cable (up to 150 ft)
<b>Compliance:</b>	HDMI v1.3, HDCP 1.1, DVI 1.1
<b>Data Rate:</b>	2.25Gbps
<b>TMDS Clock Speed:</b>	225MHz
<b>Maximum Resolution:</b>	1920x1200, 1080p/60Hz, VGA to WUXGA
<b>Color Space:</b>	RGB 24~36, Y444 24~36, Y422 16~24
<b>Deep Color:</b>	1080p with 36* bit color
<b>Audio Supported:</b>	PCM2, PCM 5.1, PCM 7.1, Dolby 5.1, DD+, Dolby Digital TruHD, DTS-HD
<b>Maximum Range (RG-6):</b>	1080p, 24* bit color: 325 ft
<b>Operating Temperature:</b>	+32° to +122° F (0° to +50° C)
<b>Operating Humidity:</b>	10% to 90%, non-condensing
<b>Storage Temperature:</b>	12° to +158° F (-10° to +70° C)
<b>Storage Humidity:</b>	10% to 90%, non-condensing
<b>Limited Warranty:</b>	1 year parts and labor
<b>Regulatory Approvals:</b>	Tx and Rx units: FCC, CE, RoHS Power supply: UL, CUL, CE, PSE, GS, RoHS
<b>Cable Requirements:</b>	High quality, 75 ohm RG-6 or RG-59 cables
<b>Dimensions (H-W-D):</b>	1.2 x 4.9 x 4.33 inches (30x125x110mm)
<b>Weight (Transmitter):</b>	0.59 lbs (270g)
<b>Weight (Receiver):</b>	0.59 lbs (270g)
<b>Power Requirement:</b>	External supply, 12VDC@1A
<b>Accessories Included:</b>	(2) power supplies, user manual

### Model HCX-11 inputs and outputs



HDMI, the HDMI logo and High-Definition Multimedia Interface are trademarks or registered trademarks of HDMI Licensing LLC