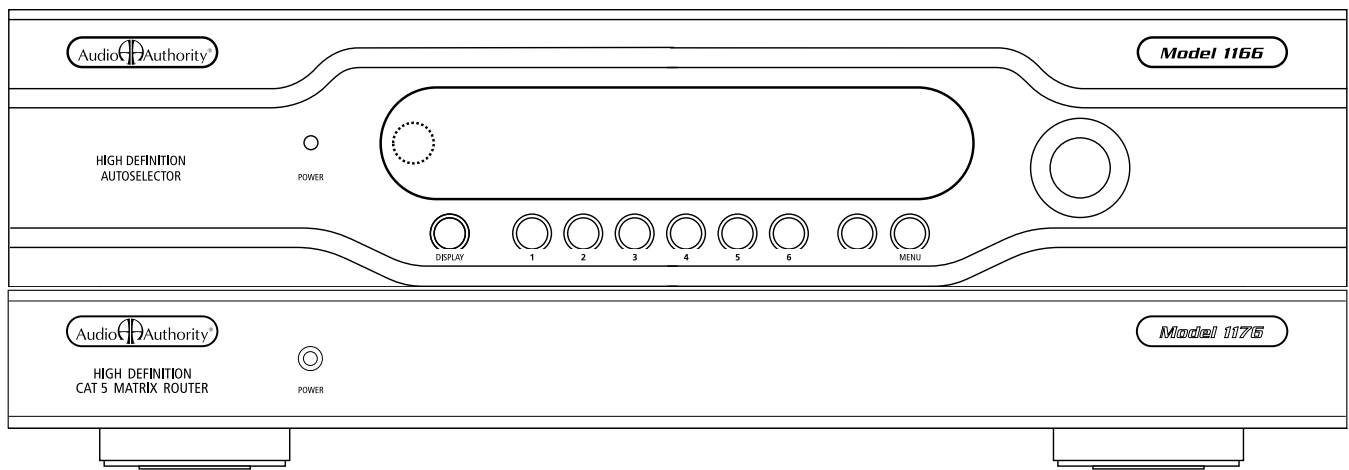


Installation and Operation



Model 1176
High Definition Cat 5 Matrix Router

Audio  Authority®

Installation and Operation Manual

Model 1176 **High Definition Cat 5 Matrix Router Expander**

Audio Authority and the Double-A Symbol are registered trademarks of Audio Authority Corp.
AutoSwitch is a trademark of Audio Authority. Copyright April, 2006, all rights reserved.
HDMI, the HDMI logo and High-Definition Multimedia Interface are trademarks or
registered trademarks of HDMI Licensing LLC.

Audio Authority Corporation
Lexington, Kentucky

Table of Contents

Warnings	3
Getting Started	4
General Information.	4
Carton Contents	4
Other Materials You May Need.	4
Suggested Accessories	4
Panel Descriptions	5
Installation.	7
Operation	7
Hookup Diagrams.	8
Warranty Statement	10
Specifications	11

Warnings

To reduce the risk of fire or electric shock, do not expose this unit to rain or moisture.



The exclamation point symbol alerts users to important operating and maintenance instructions in this manual.

- Read these instructions before installing or using this product.
- This product must be installed by qualified personnel.
- Do not open the cover—there are no user-serviceable parts inside.
- Do not expose this unit to excessive heat.
- Install only in dry, indoor locations.
- Do not obstruct the ventilation slots.
- Clean the unit only with a dry or slightly dampened soft cloth.

Getting Started

- Register your purchase at www.audioauthority.com/register to activate your warranty and for future upgrade notification. Write your registration password on the back cover of this manual.
- Read these instructions
- Unpack the product and its accessories
- Install batteries in the infrared remote control(s)
- Connect associated equipment (see detailed instructions in the 1166 Manual)
- Connect the product to a suitable power outlet using only the power supply furnished
- Perform desired setup operations

General Information

The Model 1176 High Definition Cat 5 Matrix Router is a companion product to the Model 1166* High Definition Component Video AutoSelector™. It provides outputs to six Model 9878 Wallplates. Each Wallplate is able to display any one of the six inputs of the Model 1166 at any time. Up to six Model 1176s may be stacked with its host 1166, providing outputs for 6, 12, 18 or more Wallplates.

The Model 1176 is especially well suited for residential use, and professional venues, such as clubs and restaurants, can benefit by using Model 1176 to send selectable video and/or audio to remote locations. In applications where all displays carry the same content, the Model 1170 High Definition Cat 5 MultiDriver™ Expander drives multiple Wallplates with the same program content as the 1166 main component video output.

Models 1170 and 1176 may be mixed in one system when some Wallplates are to have individually selectable video and some are to have the same display content as the 1166 main output.

Carton Contents

- Model 1176 High Definition Cat 5 Matrix Router
- 18-volt Power Supply
- User Manual

Other Materials You May Need

- RCA and optical patch cords
- 3.5mm patch cords
- Infrared emitter or blaster
- Infrared remote control receivers—for Model 9878 Wallplates
- Cat 5e/6 cable and plugs

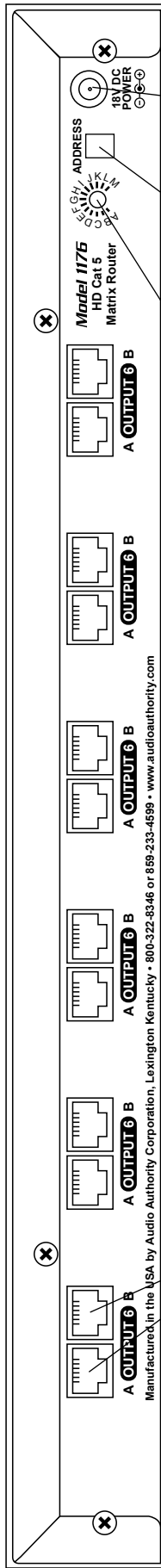
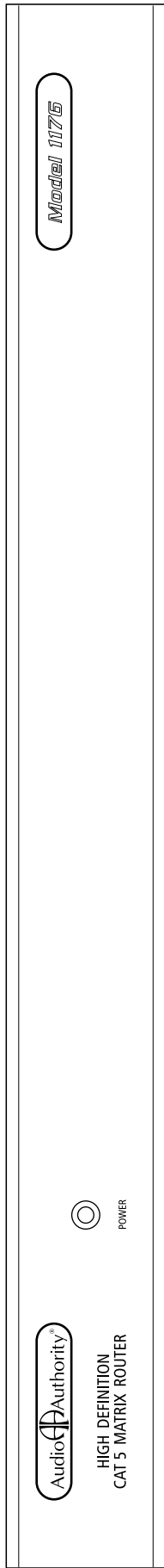
Suggested Accessories

- Model 1105 IR Remote Control
- Model 1191 Rack Mounting Adapters secure the 1176 in 19-inch racks.
- Model 9878 Cat 5 HDTV Connection Plates (“Wallplates”).
- Model 802-567 4-port bus cable—for up to 3 routers.
- Model 1108 Multi-source IR Router. Plug into the 1166 IR Out jack to allow multiple identical sources to be individually addressed by 9878 Wallplates.
- Model 802-567 4-port bus cable—for up to 3 expanders or routers.

* Note: the 1156 or 1166 AutoSelector will be referred to as the 1166 in this manual.

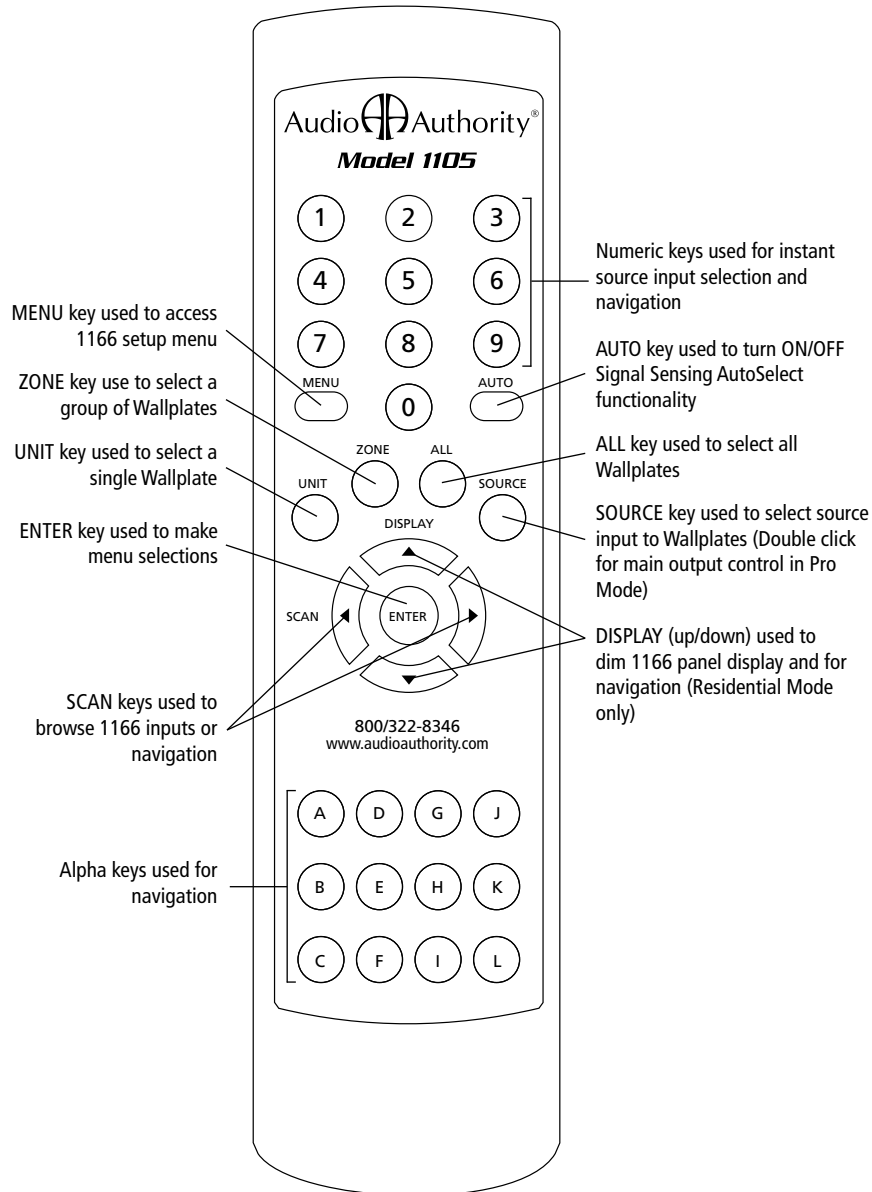
Panel Descriptions

Shown below are the front and back views of the 1176.



Model 1105 IR Remote Control

Below is a view of the 1105 Infrared Remote Control. This full featured remote control can be used to make source selections at the AutoSelector location, or, with an IR receiver installed, select source signals to individual 1176 Wallplate outputs at the Wallplate location. Each Model 1166 or 1156 includes one 1105 remote; additional remotes may be purchased separately.



Installation

These instructions address the Model 1176, which is always used with either a Model 1156 or 1166 High Definition Component Video AutoSelector™ as the head end and one or more Model 9878 Cat 5 HDTV Connection Plates (Wallplates) downstream. Refer to the Model 1166 instruction manual for complete directions for installing this product.

You may wish to consult with a qualified custom electronics installer if you are inexperienced with DVI, HDMI/HDCP, component video connections and compatibility. If you are installing 1170 or 1176, you should be familiar with Cat 5 cable termination tools and techniques.

Pre-Setup

Many setup steps can be performed ahead of time using the Model 1166PC Setup Application. If the setups were done using the Setup Application, plug the Flash Card containing the setup file into the memory slot in the upper right corner in the back of the Model 1166. Temporarily apply power, go to the SETUP menu, choose SAVE/LOAD FILE, and follow the instructions on the screen.

Infrared Capability

To activate infrared remote control of input sources, each Model 9878 Wallplate must have an infrared receiver plugged into its IR Remote jack. Then, a Model 1105 Infrared Remote Control can be used at each Wallplate location to select its input sources. Wallplate inputs can also be selected from the Model 1166, whether or not IR receivers have been provided at the Wallplates.

The Model 1176 can also accept other brands of IR remote signals (through Wallplate IR ports) and repeat them through the Model 1166 IR Output port. For example, by acquiring Model 1166 control codes, a learning remote can be used to control which source is playing at a particular Wallplate as well as control the operation of the selected source. The Model 1166 IR Output port must be connected to an infrared distribution system if other brands of IR remotes are to be extended through the Wallplates.

If the infrared system is to allow Wallplates selection of multiple sources of the same brand and model, add a Model 1108 IR Router to the Model 1166 IR output. See the Model 1166 Instructions for details.

Operation

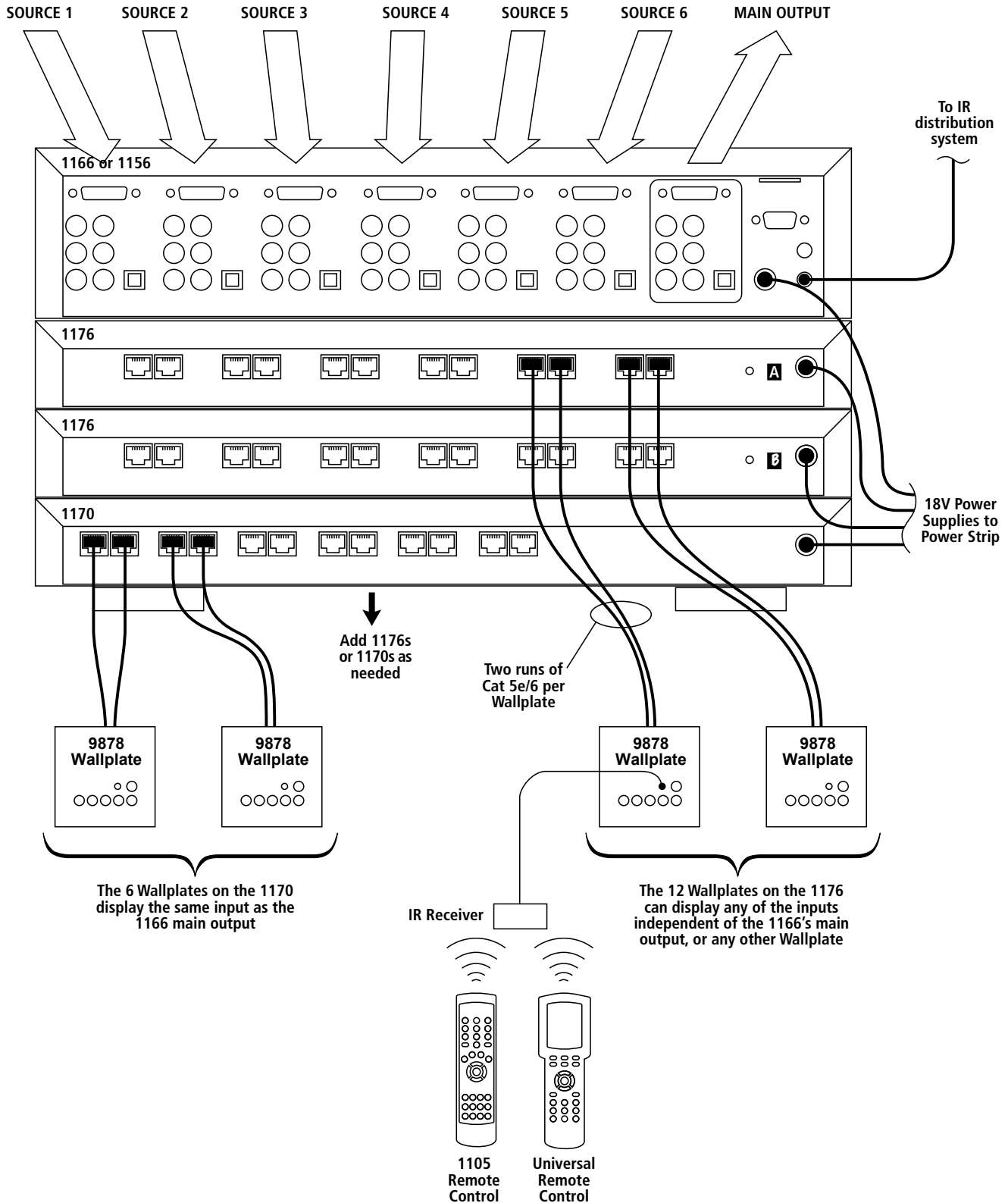
The Model 1176 is the switching center for Model 9878 Wallplates, which serve as the connection points for video systems remotely fed from a main home theater system. At each Wallplate equipped with an infrared receiver, you can select one of up to six audio/video sources connected to the main system, using a Model 1105 infrared remote control.

If a Model 1105 Infrared Remote Control has been provided, change the input source at any Wallplate by pressing the predetermined number of the source, from 1 to 6, on the Model 1105.

If another brand of infrared remote control has been provided, it may be used to control local system components such as a television, satellite or DVD player or, if properly programmed, to select input sources from the main system and control the functions of those sources. Ask your installer which option applies to you and for specific instructions on how to use the infrared remote controls at Wallplate locations.

1176 and 1170 Combination

A combination of 1176s and 1170s may be used with an 1166 to provide multiple Wallplate outputs. The 1166 responds to the 1105 IR signals sent over the Cat 5 run back to the 1176, whereas IR signals sent over Cat 5 and through to the 1170 are then sent through the 1166 and retransmitted on the IR output jack. 1105 IR signals from Wallplates connected through the 1170 do not control switching.



Limited Warranty

Should any consumer use product manufactured by Audio Authority fail due to defects in materials or workmanship within one year from the date of the original sale to the end-user, Audio Authority guarantees that we will replace the defective product at no cost. Freight charges for the replacement unit will be paid by Audio Authority (Ground service only). A copy of the invoice from an Authorized Reseller showing the item number and date of purchase (proof-of-purchase) must be submitted with the defective unit to constitute a valid in-warranty claim.

Units that fail after the warranty period has expired may be returned to the factory for repair at a nominal charge, if not damaged beyond the point of repair. All freight charges for out-of-warranty returns for repair are the responsibility of the customer. Units returned for repair must have a Return Authorization Number assigned by the factory.

This is a limited warranty and is not applicable for products which, in our opinion, have been damaged, altered, abused, misused, or improperly installed. Audio Authority makes no other warranties either expressed or implied, including limitation warranties as to merchantability or fitness for a particular purpose. Additionally, there are no allowances or credits available for service work or installation performed in the field by the end user.

Specifications

Subject to change without notice.

Video Parameters

Signal Type	Component
Video Formats	480i/p, 720p, 1080i/p, 576i/p
Input/Output Impedance	100 ohms
Input Ground Isolation	Yes
Gain	1
Gain Accuracy	2%
3dB Bandwidth	100MHz
Input Coupling	AC
S/N Ratio	62dB
Max Gain/Equalization	1

Audio Parameters

Format	Digital/Analog
Digital Audio Output Type	Coaxial 75 ohms
Input Impedance	100 ohms/50K ohms
Min Load Impedance	75 ohms/10K ohms
Multi-channel Digital	Yes
Frequency Response	10-50KHz
S/N Ratio	75dB
THD+Noise	.025%
Crosstalk	75dB
DC Input Connector	
DC Input/Polarity	18V/center positive
Power Supply	571-015

Audio Authority[®]

2048 Mercer Road, Lexington, Kentucky 40511-1071

Phone: 859/233-4599 • Fax: 859/233-4510

Customer Toll-Free USA & Canada: 800/322-8346

Website: <http://www.audioauthority.com>

Custom Installer _____

Telephone Number _____

Registration Password _____

(This password is only for registration, not for
password operations in your 1166 or 1156.)