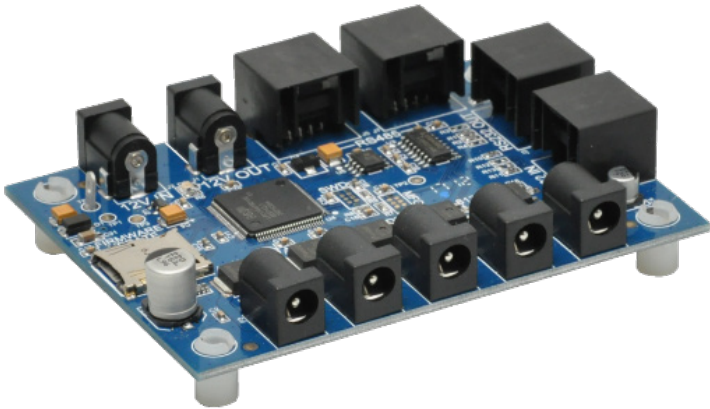


User Manual

Model 1804 LED Controller



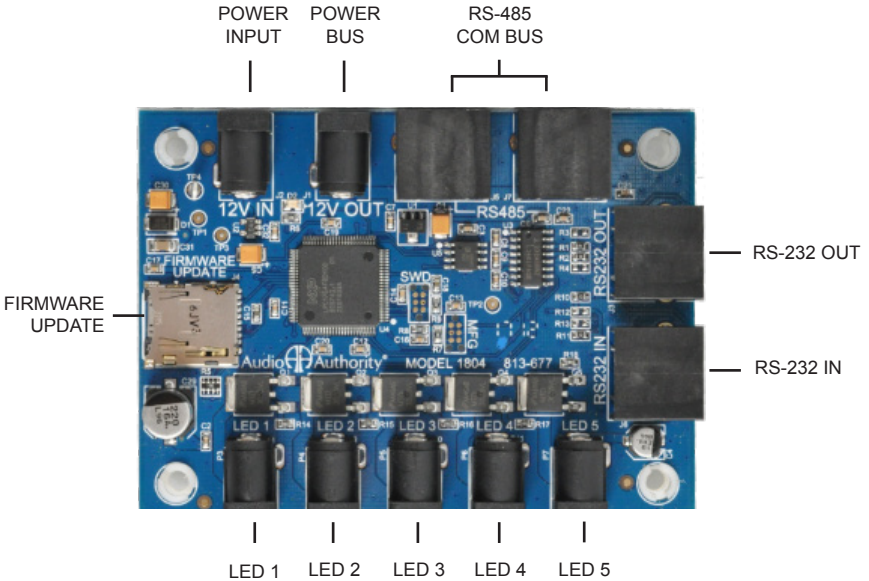
Audio  Authority®

Introduction

The Audio Authority® 1804 LED Controller is an easy way to add lighting automation to interactive displays. Synchronize LEDs with push-buttons, touch panel, or touch screen selections.



COMPATIBLE WITH
BRIGHTSIGN® MEDIA
PLAYERS



Package Contents

Before installing this product, please check the packaging and make certain the following items are contained in the shipping carton:

- 1804 LED Controller
- DC Power Adapter

Features

- Control up to five 12V LED light bars
- LEDs controlled by RS-232 or custom application via RS-485
- Small footprint for easy placement in displays and fixtures
- Total output up to 1 Amp (*see page 4 for specifications*)

RS-232 Commands

The RS-232 ports pass-thru communications to other serial devices at 9600 Baud rate. Special RJ-45 cables are available from Audio Authority; RJ-45 to 3.5mm, PN: 801-373 and RJ-45 to DB-9 cable, PN: 801-252. Serial command examples shown in table below.

STRUCTURE	EXAMPLE	RESULT
[LB#=#]	[LB1=1]	LED 1 Output is On, turn Off positions 2-5
[LB#=#]	[LB1=0]	LED 1 Output is Off
[LB#PWM=#]	[LB#3PWM=5]	LED 3 is On, Brightness is 50% (1 through 10, 5=50%)
[LBM#=#]	[LBM4=1]	LED 4 Output is On, keep active state of other positions
[LBM#PWM=#]	[LBM2PWM=8]	LED 2 Output is On, keep active state of other positions, LED 2 Brightness is 80%

Example String: Turn on LED outputs 2, 3, turn off 1,4,5

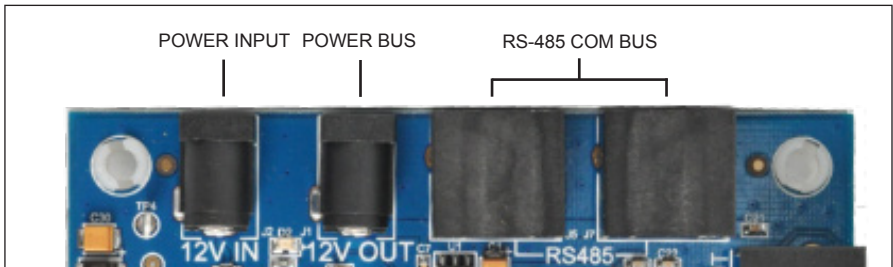
[LBM1=0]
[LBM2=1]
[LBM3=1]
[LBM4=0]
[LBM5=0]

RS-485 Communication Bus

The RS-485 communication bus is for use with custom applications.

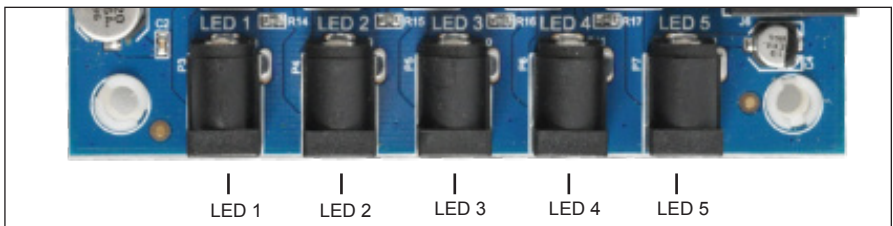
Power

Connect the 12V power adapter (included) to the port marked Power Input.



LEDs

Connect 12 volt LEDs to the corresponding 2.1 mm output ports on the model 1804. Observe correct polarity (center positive) when connecting to LED strips or bars.



LED Specifications

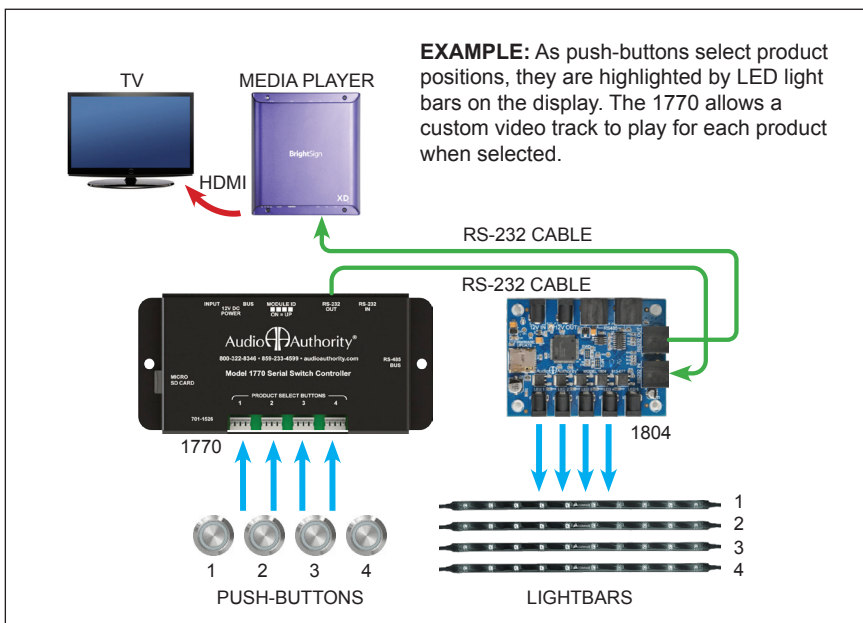
12V LED output driven by power supply (PN: 571-043): 1A maximum.

LEDs	Bar or Strip Length	Typical mA Draw
30	11.8 in	210 - 565*
60	23.6 in	355 - 955*
300	16.4 ft	1300 - 3500*

*Variance depends on wavelength and intensity of LED strip.

Installation

- Attach the 1804 to a flat surface with the screws provided.
- Connect LED terminals securely.
- Connect RS-232 cable from the 1804 to the serial host.
- Connect the power adapter to AC power, then to the power port.
- Call Audio Authority with questions that are not addressed in this manual.



Audio Authority®

2048 Mercer Road, Lexington, KY 40511-1071 USA
 800-322-8346 • 859-233-4599 • Fax: 859-233-4510
 support@audioauthority.com • www.audioauthority.com

752-720
 Rev. 20170913