

User Manual

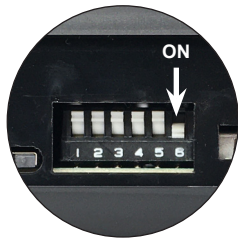
Model AH1 Demonstration AudioHub



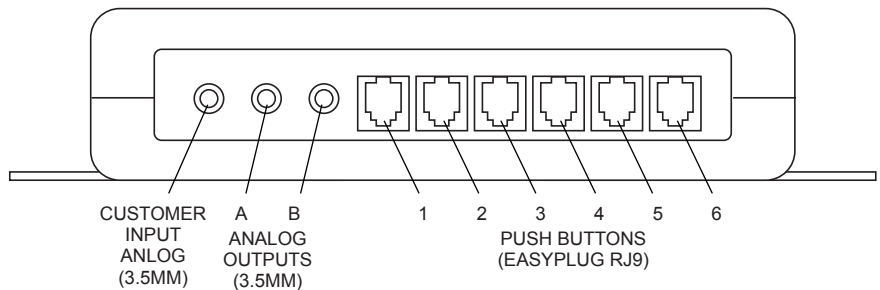
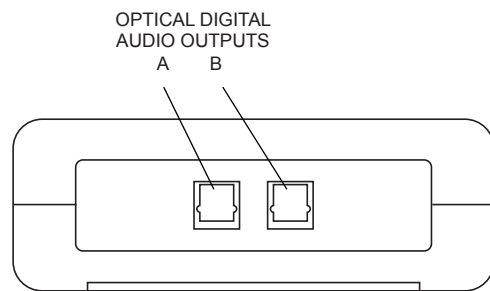
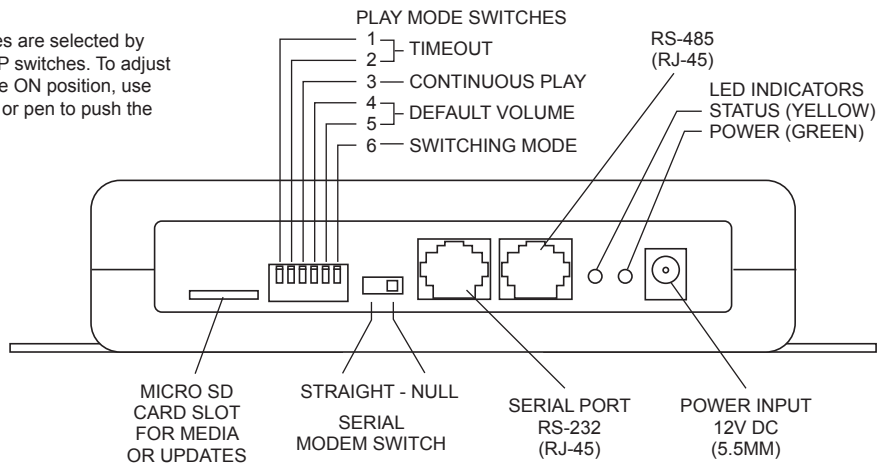
Audio  Authority®

Model AH1 Demonstration AudioHub

The AH1 plays MP3, FLAC, OGG, and WAV files for high fidelity audio demonstrations of headphones, speaker docks, and sound bars. It is ideal for use with one or more Audio Authority® audio distribution amplifiers. Two audio outputs may be played and adjusted individually or together (Toslink® digital and analog outputs). Push buttons and/or a multifunction rotary knob allow track selection and volume adjustment. The special Visual Volume™ knob (Model 1795, purchased separately) provides visual feedback with its glow ring.

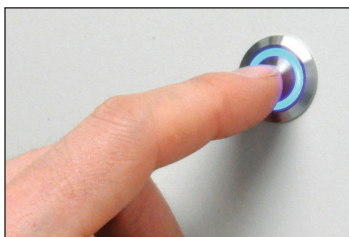


The AH1 Play Modes are selected by "piano key" style DIP switches. To adjust the Play Mode to the ON position, use a small screwdriver or pen to push the switch downward.

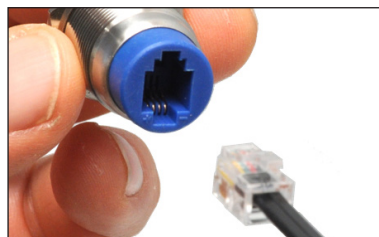


Default button assignment is shown below.

| PREVIOUS TRACK | NEXT TRACK | VOLUME A | | VOLUME B | |
|----------------|------------|----------|----|----------|----|
| | | DOWN | UP | DOWN | UP |
| 1 | 2 | 3 | 4 | 5 | 6 |



Push-buttons may be used to adjust volume and select tracks. They are available in several styles and colors; pictured above is a stainless steel button illuminated with blue LED ring.



EasyPlug push-buttons are terminated with RJ9 connectors on either end of the cable for quick and secure installation.



The Visual Volume™ Model 1795 Rotary Control gives visual feedback with its glow ring, its brightness indicating changes in volume; a slow pulse highlights the knob during attract mode.

Button and Rotary Control Functions

Default button positions are shown on page 2, and alternate functions may be applied with custom firmware. Control volume using a rotary control knob or up/down push-buttons. Volume levels are always synchronized for each Digital and Analog Output pair. To control volume on Output A and B individually, use two sets of push buttons. To control all outputs with one control, any method may be used including Model 1795 (see Linked Volume).

- Volume Up and Down A: Connect button to increase or decrease Output 1 volume.
- Volume Up and Down B: Connect button to increase or decrease Output 2 volume.
- Next Track: Play the next track on the card; if no demo is playing, the first track starts.
- Previous Track: Play the previous track on the card; if no demo is playing, the first track starts.
- Rotary Control (PN 1795): Connect a 1795 knob to the RS-485 port. Push to play next track, and turn to adjust volume on all outputs.

Play Modes

Choose the desired features and select using the Play Mode Switches as shown. If a switch is shown with a dash, it can be ON or OFF while using the feature.

TIMEOUT: When Play Mode Switch 1 and/or 2 is on, the demo ends after a period of inactivity. The timeout interval is the time between the last button press or knob turn until the demo ends and attract mode begins. Adjust the length of the timeout interval using the settings below. When Switch 3 is ON the demo never stops playing, but volume is reset to the default level for attract mode.

TIMEOUT SWITCH SETTINGS:

| | 1 | 2 | 3 | 4 | 5 | 6 |
|-------------------|-----|-----|---|---|---|---|
| 1 MINUTES | OFF | ON | - | - | - | - |
| 2 MINUTES | ON | OFF | - | - | - | - |
| 3 MINUTES | ON | ON | - | - | - | - |
| NO TIMEOUT | OFF | OFF | - | - | - | - |

CONTINUOUS PLAY: When Switch 3 Continuous Play is on, the AudioHub plays and repeats all tracks on the microSD card, nonstop, at the volume last set. Default Volume and Timeout can be used with this mode, however when the demo times out the playback continues, but at the volume level selected on the Default Volume DIP switches.

CONTINUOUS PLAY SWITCH SETTINGS:

| | 1 | 2 | 3 | 4 | 5 | 6 |
|-------------------|---|---|----|---|---|---|
| CONT. PLAY | - | - | ON | - | - | - |

VOLUME RESET: When Continuous Play and Timeout are on, the AudioHub returns to the chosen volume after a timeout, then continues to play at the default volume. See *Default Volume* below.

DEFAULT VOLUME: Switch 4 and 5 selects the level of Default Volume at initial power up and between demonstrations **when Timeout is active.**

DEFAULT VOLUME SWITCH SETTINGS:

| | 1 | 2 | 3 | 4 | 5 | 6 |
|--------------------|---|---|---|-----|-----|---|
| SOFT -30 dB | | | - | OFF | OFF | - |
| MED -20 dB | | | - | OFF | ON | - |
| LOUD -10 dB | | | - | ON | OFF | - |
| FULL 0 dB | | | - | ON | ON | - |

SWITCHING MODE: Turn 6 on to alternate between two analog outputs using push-buttons. Adjusting Volume A or B up/down via push-buttons selects one output and deselects the other.

SWITCHING MODE SWITCH SETTINGS:

| | 1 | 2 | 3 | 4 | 5 | 6 |
|------------------|---|---|---|---|---|----|
| SWITCHING | - | - | - | - | - | ON |

Customer Input

The AH1 accepts input from any device that has a 3.5mm analog output, such as a music player or smartphone. The AH1 automatically detects audio from the device and overrides the internal player.

Digital Audio Output

The AH1 digital output is compatible with any amplified speaker, amplifier, or other digital device that can accept PCM two-channel audio via an optical cable, such as the 1725M-BT Demonstrator.

About MicroSD Cards

Compatible with SDHC or SDXC (2GB, 16GB, 32GB and 64GB). *Compatible formats are FAT-32, or exFAT, see formatting instructions below.* Do not put music inside directories or folders.

Windows®

1. Insert microSD card into PC card slot or adapter
2. Click on Start-> (My) Computer
3. Right Click on the drive letter for the microSD card
4. Select Format from the drop down menu
5. Select FAT-32 or exFAT as the File System from the drop down list (check Quick Format if desired)
7. Click Start, click Yes in the dialog box

Macintosh® 1. Insert an microSD card into the card slot or adapter.

2. Start Disk Utility.
3. Select the microSD card in the left hand panel.
4. Choose Erase at the top right panel.
5. Select exFAT or MSDOS FAT from the drop down.
6. Click the Erase button below the drop down.

MP3, FLAC and WAV Audio File Information and Content Creation

To convert raw audio files use recommended encoders (see audioauthority.com/AH1)

- Audio files must be placed in the **root directory** of a compatible and properly formatted microSD card.
- File name maximum length is 32 characters.
- File extensions must be .WAV, .FLAC, .OGG, or .MP3. (MP3 files may be variable or constant bit rate.)

| Format | Maximum Bit Rate | Maximum Sample Rate |
|--------|------------------|---------------------|
| FLAC | 16 Bit | 48 kHz |
| FLAC | 24 Bit | 44 kHz |
| MP3 | 320 KBps | 48 kHz |
| OGG | 32 Bit | 48 kHz |
| WAV | 16 Bit | 48 kHz |

Note: The AH1 does not play multi-channel audio files such as 5.1 or 7.1 audio (e.g. DTS® or Dolby Digital®).

Installation

- Read these instructions and set the Play Mode switches for the desired demo behavior (see page 3).
- Attach the AudioHub to a flat surface with the screws provided.
- Load audio files onto the root of a compatible and properly formatted microSD card (see above).
- Connect push-buttons if desired for volume adjustment or track selection.
- Connect rotary control (Audio Authority part number 1795) for volume control and next track if desired.
- Connect power supply to AC power, then to the AH1 power port.
- For initial testing, connect audio output to headphones or other known audio device and test AudioHub for functionality and timeout settings.
- Connect audio output(s) to an amplifier, headphone amplifier or switching system if desired.
- For troubleshooting tips check our website: audioauthority.com/AH1.

TIP: Songs play in the order they were copied to the card. If play order is important, copy each track to the card one at a time.



SUPPORT

Audio  Authority®

2048 Mercer Road, Lexington, Kentucky 40511-1071
800-322-8346 • 859-233-4599 • Fax: 859-233-4510
www.audioauthority.com • support@audioauthority.com

752-767
20200602