

# How to Use the Model 985U Universal Distribution Amplifier

The Model 985U adds to the capabilities of Audio Authority's well-received 985 series of products the ability to drive four video displays (component video and composite video) from one source. Like other members of the 985 family, 985U modules can be cascaded to allow virtually an unlimited number of television monitors to be driven from a single source without picture degradation. The exceptional bandwidth of this product supports video standards from today on into the future. The 985U can also be used for RGB video distribution in video production and duplication facilities.

Digital audio distribution complements the 985DTV's video capability by providing lossless transmission of digital audio signals (Dolby Digital™, or DTS™) from the source to four audio control centers or television sound inputs, or left/right stereo audio.

## Single Amplifier Installation – Four or Fewer Video Displays

Mount the 985U to a surface located near the video displays and audio equipment. Use matched sets of high-quality 75-ohm coaxial video cables to connect Y Cb Cr or Y Pb Pr outputs of a component video source to the Component Bus Input jacks of the 985U. Connect the digital audio output(s) of the source to the 985U Bus Input(s) using a high-quality 75-ohm patch cords. Use standard RCA patch cords for analog audio.

Connect each video display to one set of 985U outputs using matched sets of video patch cords. Connect the digital audio input of the sound system to a Digital Audio output jack on the 985U.

Power the 985U from the provided wall pack plugged into a source of 120 volts AC; picture and sound output appears immediately. No adjustments are required. In the event of hum bars or other picture disturbance, adjust the GROUND switch to minimize the symptom. Do not connect televisions to the Bus Output, or leave uncommitted cables connected to the Bus Output.

## Multi-Amplifier Installation-More than Four Video Displays

Mount the 985U modules near the video displays and audio source. Use matched sets of high-quality 75-ohm coaxial video cables to connect the Y Cb Cr or Y Pb Pr outputs of the video source to the Bus Input jacks of the nearest 985U. Connect the Composite Video Bus using high-quality 75-ohm coaxial video cables. Connect the audio output of the source to the first 985U's Bus Input using high-quality 75-ohm patch cords.

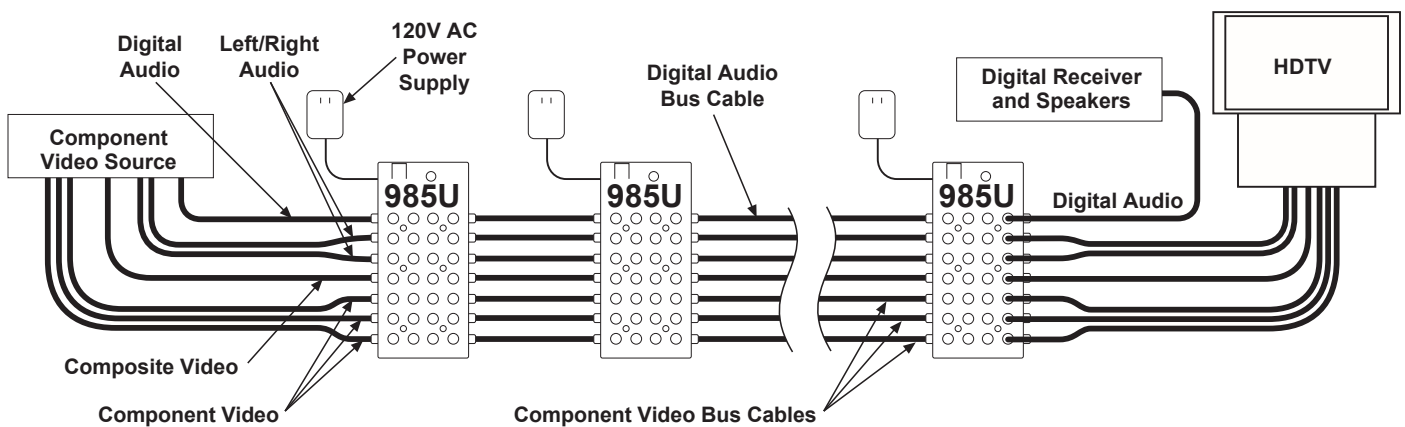
Connect the Bus Output jacks of the first 985U to the Bus Input jacks of the next 985U, and so on. The bus is automatically terminated correctly in 75 ohms at all times. Make sure the Ground switch is turned OFF.

Connect each video display to one set of 985U outputs using matched sets of video patch cords. Connect the digital audio input of the sound system to a Digital Audio output jack on the 985U, or if TV sound is desired, connect the 985U left/right stereo outputs to the stereo inputs on each TV. Do not connect televisions to the Bus Output, or leave uncommitted cables connected to the Bus Output.

Power the 985U from the provided wall pack plugged into a source of 120 volts AC; picture and sound output appears immediately. No adjustments are required. In the event of hum bars or other picture disturbance, adjust the Ground switches to minimize the symptom.

## In Case of Difficulty

Call Audio Authority Technical Service at 800-322-8346 for assistance.



2048 Mercer Road, Lexington, Kentucky 40511-1071  
Phone: 859-233-4599 • Fax: 859-233-4510  
Customer Toll-Free USA & Canada: 800-322-8346  
Website: <http://www.audioauthority.com>

**Caution!**  
Use only the power supply provided with the 985U. Other supplies can cause damage or reduce performance.