

How to Use the 9A65 Component to RGB Video Converter

Converts component video on three RCA jacks to RGB video on a VGA connector.

The Model 9A65 allows component video sources to be connected to direct view and projection video displays that require RGB inputs. These sources may include standard and progressive-scan DVD players, cable boxes, satellite and off-air set top boxes, games and HD VCRs. The RGB output on the 9A65 can be connected using a standard VGA cable (not included) or if the display is equipped with BNC inputs, a VGA to RGB breakout cable can be used (see Figure 1). Color decoding complies with SMPTE standards for both standard and high-definition formats.

The 9A65 is not a format converter. It passes the horizontal and vertical synchronization timings and pixel content to the outputs without modification. The source output resolution must be compatible with the display input capability. For example, a 1080i component video source used in conjunction with a 9A65 requires the video monitor to accept a 1080i RGB input resolution.

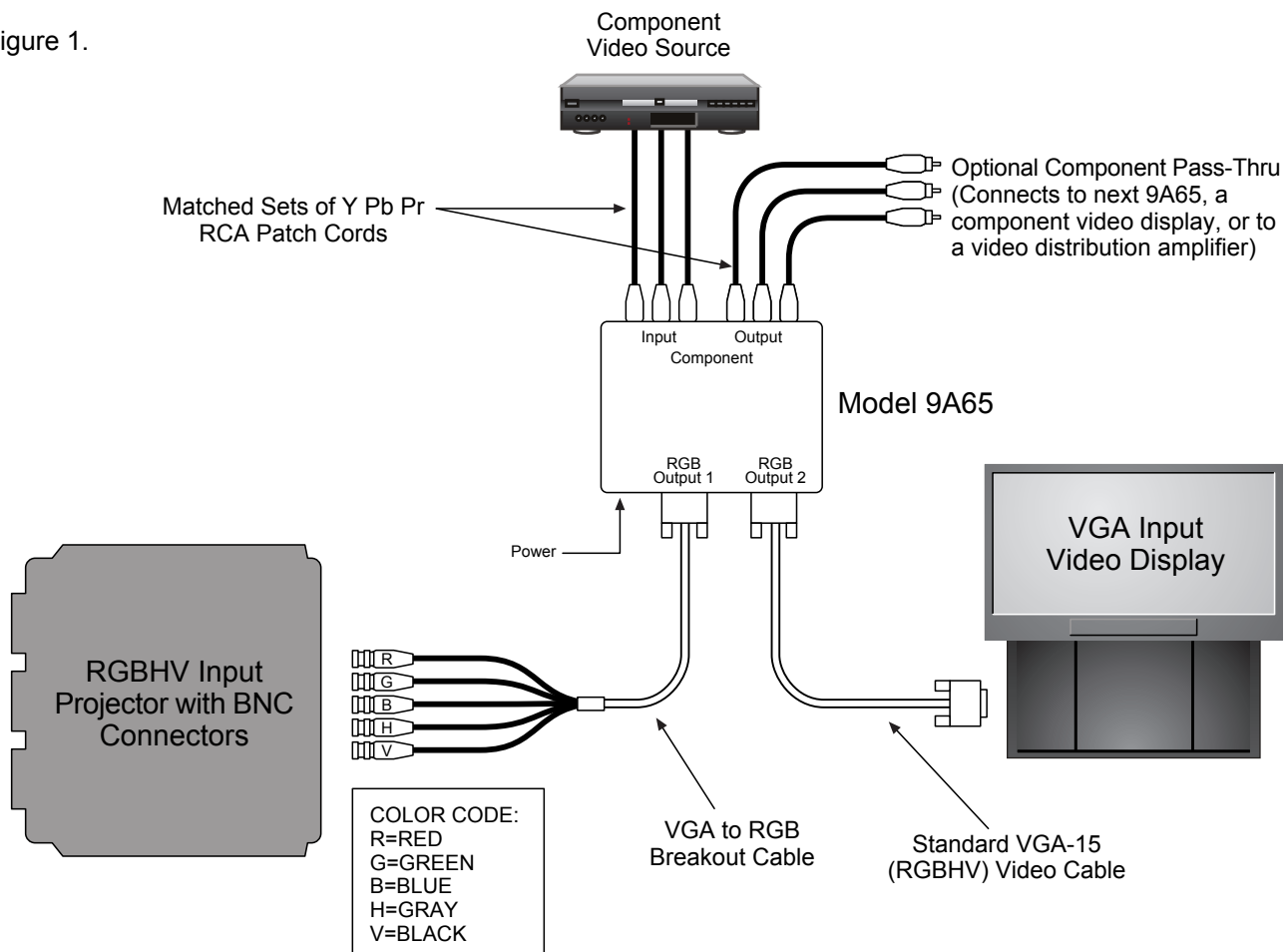
Some video sources or displays may not be compatible with this product. If you experience difficulty, please contact Audio Authority Technical Service for assistance.

Installation

Connect the source to either set of 9A65 input jacks. Use high quality matched sets of component video patch cords. Next, connect video display(s) to one or more of the RGB outputs, using a VGA cable which matches the input configuration on the video display on the other end.

Adjust the Output Mode switches (see Figure 2) to match the input configuration on the RGB video display and apply AC power. Note: Output Mode settings will affect both RGB outputs equally.

Figure 1.



Output Sync Modes

The 9A65 offers three output sync modes: RGBHV, RGBS and RGsB. Output Mode Switch 1 selects whether horizontal (RGBHV) or composite (RGBS) sync appears on the H output pin. Output Mode Switch 2 turns on sync insertion to the Green channel for RGsB applications. Choose the sync mode that matches the requirements of your display device as follows:

follows:

- RGBHV--Red, Green, Blue with separate Horizontal and Vertical sync
- RGBS--Red, Green, Blue, with separate composite Sync on the H output
- RGsB--Red, Green, Blue, with composite sync on the Green channel.

Output Mode Settings

Mode	SW 1	SW 2	Description
RGBHV	Up	Up	Separate H and V sync
RGBS	Down	Up	Composite sync on the H output
RGsB	Up	Down	Composite sync on green



Figure 2.

Specifications (subject to change without notice)

- Input: Y Pr Pb Component video on RCA jacks
- Component Output: Component video on RCA jacks.
- Video Input: Y= 1 volt p-p (video plus sync), Pr= .7 volt p-p, Pb= .7 volt p-p
- Synchronization Input: negative composite bi-level or tri-level sync on Y input
- Output: RGB video/sync on standard HDB-15 VGA connector
- Color: 480i/480p per SMPTE 170M, 720p/1080i per SMPTE 274M
- Video Output: .7 volt p-p
- Synchronization Output:
 - RGBHV, separate horizontal and vertical negative TTL sync
 - RGBS, composite negative TTL sync on H output pins
 - RGsB, .3v negative sync added to Green video
- Dimensions: 5.50" W x 4.25" D x 1.30" H, not including mounting flanges
- Included accessories: 12 volt DC power supply.



2048 Mercer Road, Lexington, Kentucky 40511-1071
 Phone: 859/233-4599 • Fax: 859/233-4510
 Customer Toll-Free USA & Canada: 800/322-8346
 Website: <http://www.audioauthority.com>