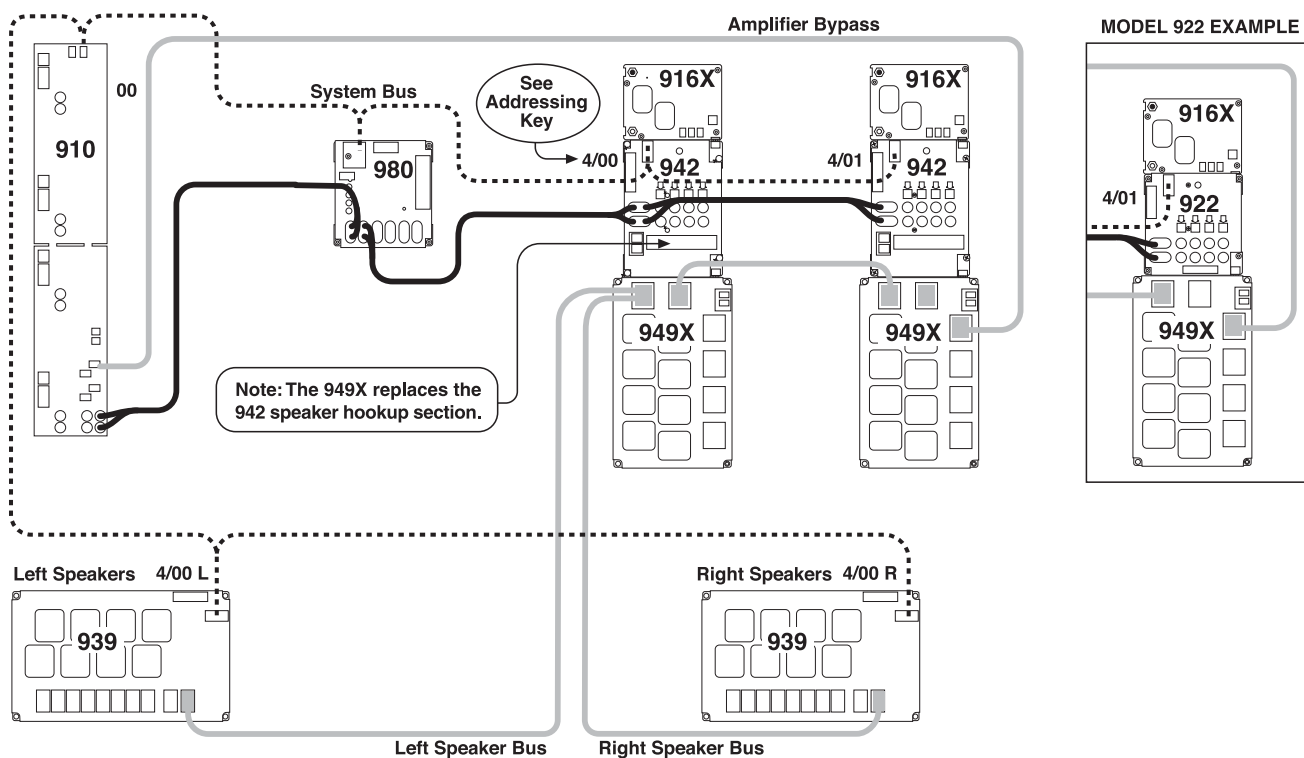


Connecting the Models 939 and 949X

Models 949X and 939 provide high-power switching in Access demonstration systems, particularly with super amps and paralleled speakers in mobile audio systems. The 939 and 949X modules are rated 1000 watts at speaker loads down to 2 ohms. The 949X expander module switches a pair of output channels from each of four amplifiers hosted by a Model 922 or 942 (shown below). The 939 selects speakers in the same manner as the standard-power 932 Speaker Selector. Together, the 949X and 939 comprise building blocks from which high-power audio demonstration systems of any size can be built.

Refer to the Access Demonstration Network Car Audio or Home Audio System Installation manuals for basic system design and installation procedures for AccessEZ modules. Dock 949X modules with 922 or 942 host switch modules, and mount 939 modules as needed in the display fixture. In 949X applications, the 942's speaker section is not used. Bus together the 949X and 939 modules for each pair of channels as shown below, using larger-gauge speaker cable, up to 10 AWG. Connect each product position to its respective product using the same type of wire. Using good quality RCA cables, connect amplifier inputs to the amplifier main module (922 or 942) and bus the amplifier main modules to the Model 980 System Module. Connect DC power to the amplifiers as instructed in the system installation manuals.

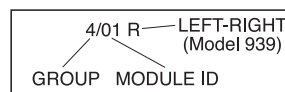
Connect system bus (and product select buttons, if used) to the 939 modules and set the address switches (see Addressing Key below) and Left-Right switches as shown. For more detail, see instructions for Model 932 in the Access installation manuals (available for download at www.audioauthority.com).



SAMPLE SYSTEM CAPACITY

- 4 High-powered Sources
- 7 Amplifiers & Amplifier Bypass
- 8 Speaker Pairs

ADDRESSING KEY



2048 Mercer Road, Lexington, Kentucky 40511-1071
 Phone: 859/233-4599 • Fax: 859/233-4510
 Customer Toll-Free USA & Canada: 800/322-8346
 Website: <http://www.audioauthority.com>