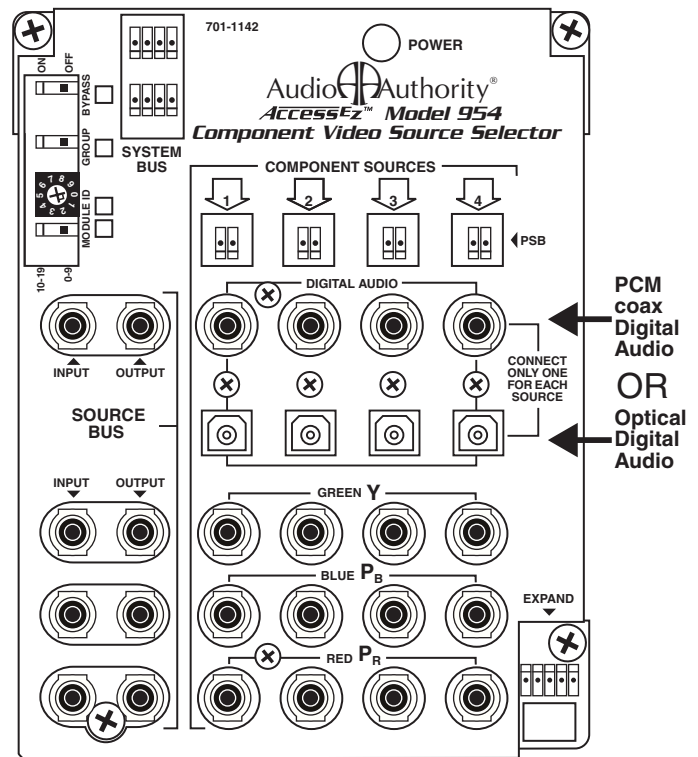


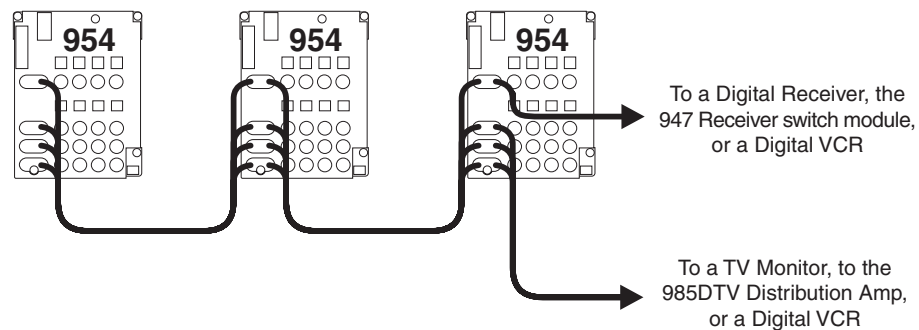
Model 954 Component Video Source Selector

The Model 954 is designed to switch sources with component video (Y P_r P_b or Y C_r C_b) and digital audio (coaxial or optical) outputs. Model 954 automatically converts optical digital audio to coaxial for bus transmission. Be sure coaxial cables for all bus and product connections are high quality, 75 ohm cables. Follow general instructions in the AccessEZ™ Home Audio Installation Manual for source module addressing, system bus hookup, PSB installation, and adding expander modules. Call Audio Authority Technical Support with questions.



Source Bus Hookup

The Source Bus connects in much the same way as other AccessEZ Modules, except that the bus is directional. Connect the Bus Output of one 954 module to the Bus Input jacks of the next, and finally connect the Bus Output of the last module to the next logical component in the system.



2048 Mercer Road, Lexington, Kentucky 40511-1071
 Phone: 859/233-4599 • Fax: 859/233-4510
 Customer Toll-Free USA & Canada: 800-322-8346
 Website: <http://www.audioauthority.com>

752-330
5/00