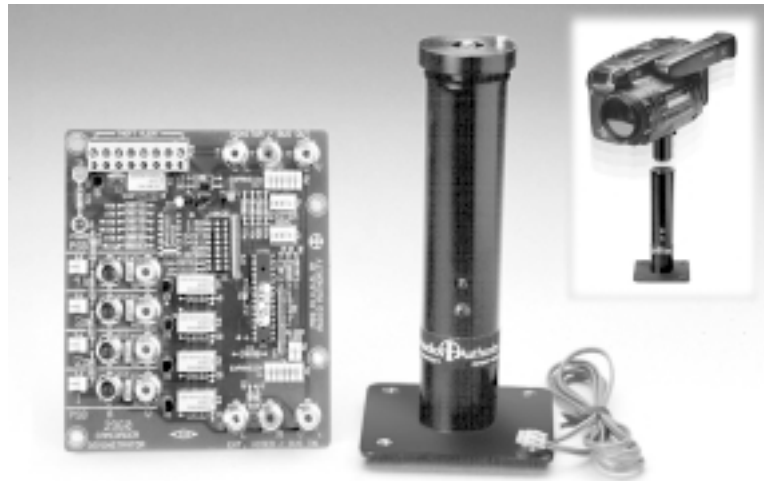


Model 2960 Camcorder Demonstrator

Installation Instructions



For Assistance

If you need additional information about your installation, or if you have encountered a problem not addressed by these instructions, call the Audio Authority Tech Service hotline at 800-322-8346. We will be glad to help you.

DirectSelect, AutoSwitch, Audio Authority, the double-A symbol, SilenTouch, and TheftAlert are trademarks of Audio Authority Corporation. The software embedded within the DirectSelect System is not sold, but rather licensed for this product specific use. The original purchaser is licensed to use this software in this product and this application only. Under this license, the software may not be reproduced, copied, disassembled, distributed by any means, licensed, rented, sold, or in any way revealed to or used by a third party. Patent pending.

How to Install and Use the Model 2960 Camcorder Demonstrator

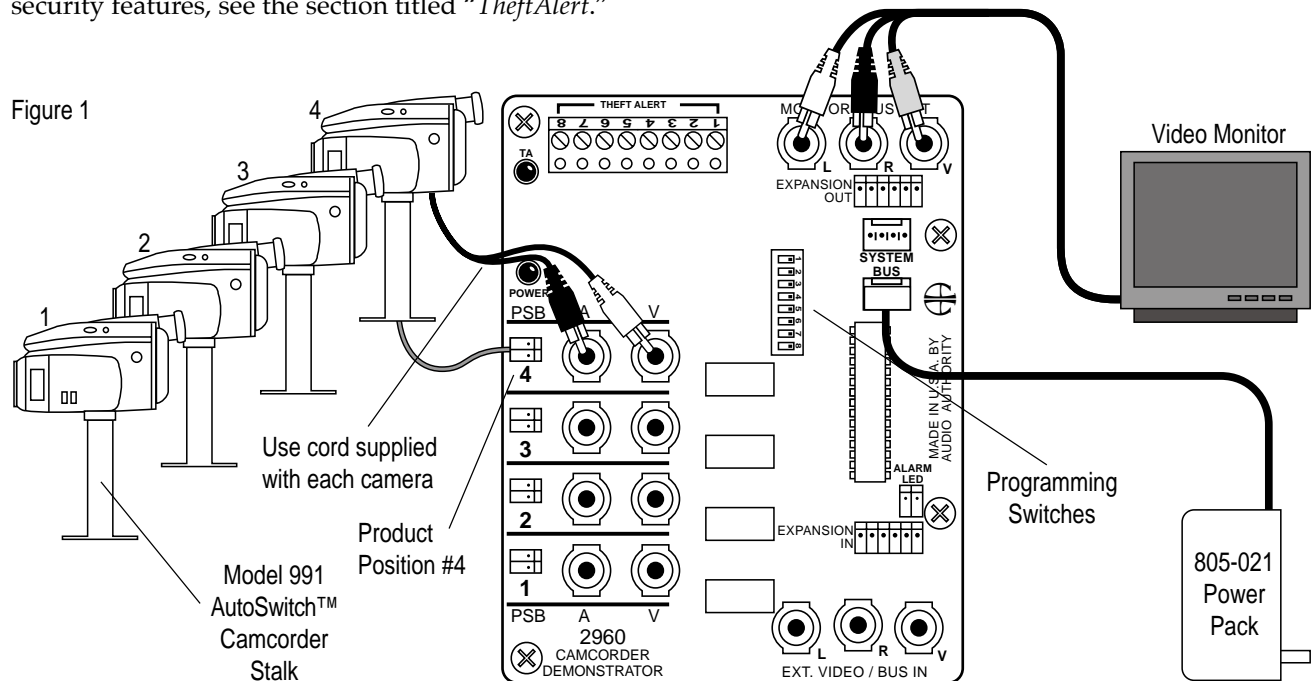
The Model 2960 is designed expressly for demonstrating and safeguarding camcorders in retail displays. It attracts customers to the display area, displays the output of the camcorder of interest on a television monitor, and alerts of unauthorized removal. It attracts through a choice of display sequences including external video input, scanning the camcorder SKUs, and combinations of the two ("attract mode"). It senses when a unit has been removed from the display and trips a choice of alarms. Multiple 2960s may be networked to display up to 60 camcorders on one or more monitors. To avoid feedback, the 2960 does not switch the audio from the camcorder; however, the audio cable must be connected for the system to recognize the camcorder. The audio from the external source is passed to the monitor when external video is displayed on the monitor.

Product Selection

The 2960 may be combined with four Model 991 AutoSwitch™ camcorder stands and two 004-012 Camcorder Cable Retractors to make a complete 4-camcorder demonstration system that features automatic display of the camcorder picked up by the customer. If for some reason you cannot use the 991 camcorder stand, Model 994, 995 or 999 Product Select Buttons will allow manual selection of the camcorders.

Security Feature

KIT35 is a siren and keyswitch accessory that complements TheftAlert™, the security feature of the 2960. Use one per system. 2960 power should be supplied by an 805-022 Security Power Supply if battery backup for the security feature is desired. If battery backup is not desired, power may be provided by the standard 805-021 Series 29 Power Pack. Use 802-307 System Bus Cable to power multiple 2960's from one power pack. For more on *TheftAlert* and security features, see the section titled "*TheftAlert*."

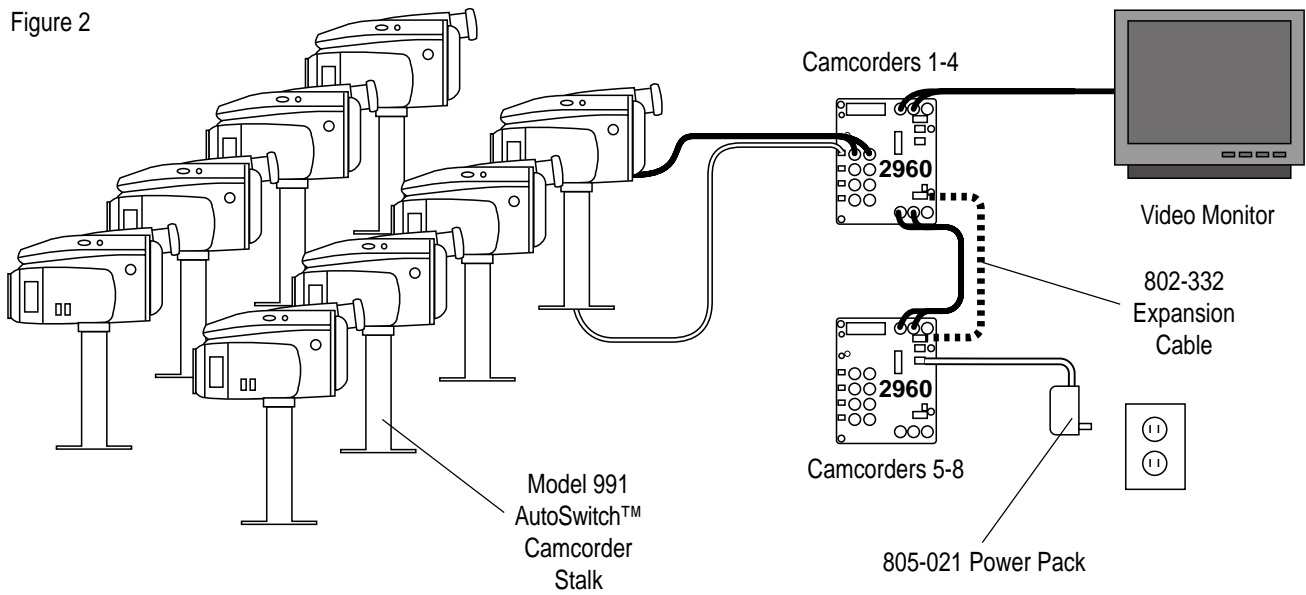


Installation

Single Module Application

A Model 2960 requires only a 12 volt DC power source to make it ready for demonstrating camcorders. A simple demonstrator for 4 camcorders is illustrated in Figure 1. In this application, the most recent camcorder that has been picked up from its stand is displayed on the television monitor. When the camcorder is returned to its stand, the Model 991 lamp will light to indicate which camcorder is presently being displayed on the monitor.

Figure 2



Multi-Module Application

To demonstrate 8 camcorders on the same monitor, connect 2960 modules together with 802-332 expansion cable(s) as shown in Figure 2 (to order, call 800-322-8346). Up to 15 modules may be displayed on a single monitor. Set the programming switches (see page 5) only on the module connected to the television monitor. You can plug the power pack into any 2960 module of a system.

Multiple Monitor Systems

Up to fifteen 2960 modules can be powered from a single 1-amp 805-021 power pack (Figure 3). Contact Audio Authority for information on other configurations.

Figure 3

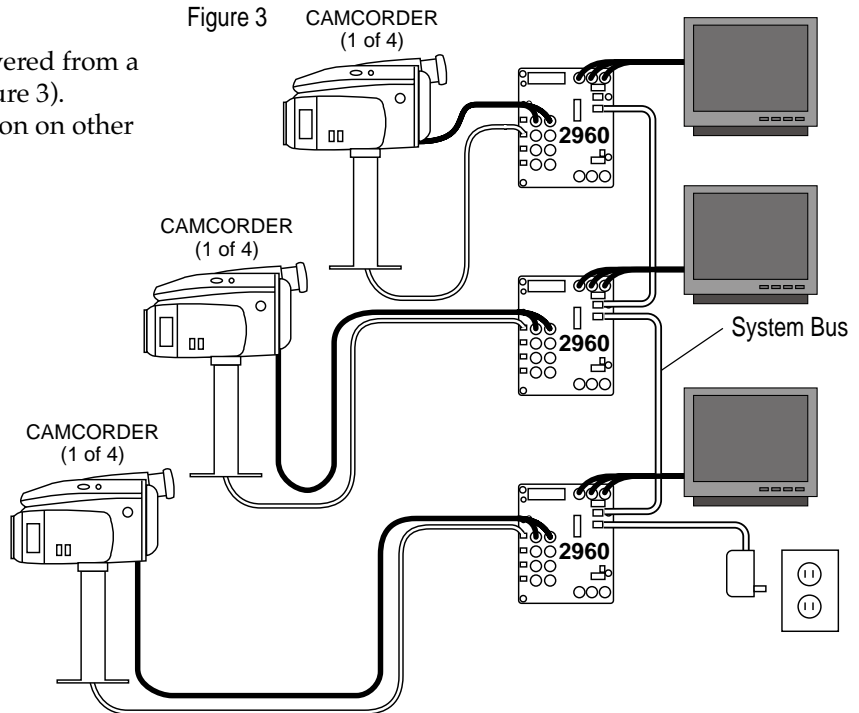
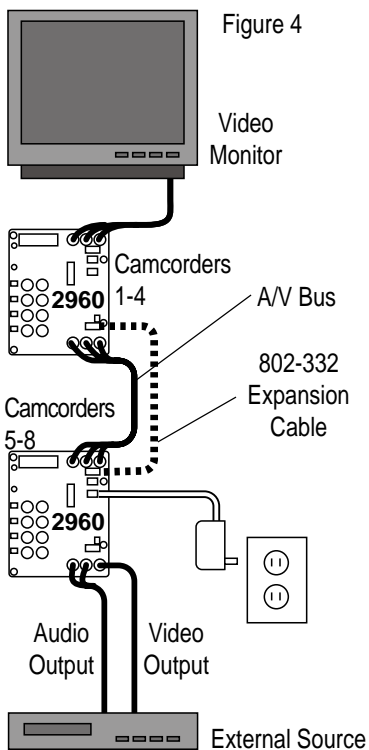


Figure 4



External Video

The 2960 is capable of displaying the output of an external video source such as a DVD player or a character generator. Connect the audio and video outputs to the "External Video" jacks on a 2960 module as shown in Figure 4. The A/V bus then carries the signal to other 2960 modules. See page 5 for more information on using external video with the 2960.

TheftAlert™ Camcorder Security

Connect KIT35 to any module of a 2960 system for audible alarm output and reset. One system may include up to 15 modules. If you wish to demonstrate more than 60 camcorders in one display, call Audio Authority Technical Service at 800-322-8346.

All modules of a 2960 system trigger an alarm when a camcorder is disconnected from any module in the display and the reset key-switch is in the ON (counterclockwise) position. The camcorder that triggered the alarm will remain the active camcorder in the system. The 991 LED will flash slowly if the camcorder is on the stand. Turn the key-switch clockwise

to mute the siren and disable alarm system. The 991 LED will continue to flash until the cable is reconnected or the system is turned on. When the reset key-switch is turned counterclockwise again (remember to remove the key), the system will reset the alarm condition and be ready for normal operation.

Turn the key-switch clockwise to disable the alarm system for product rotation, etc. When finished, turn the key-switch counter clockwise to activate the security system.

The 805-022 Security Power Supply is recommended as an upgrade for use with KIT35, to assure that the alarm system will be operational even during AC power outages. To connect the alarm output of a 2960 system to a house security system, use the dry relay contacts provided (rating: 1 Amp @ 24 Volts). Connect the house security system to any module in a 2960 system.

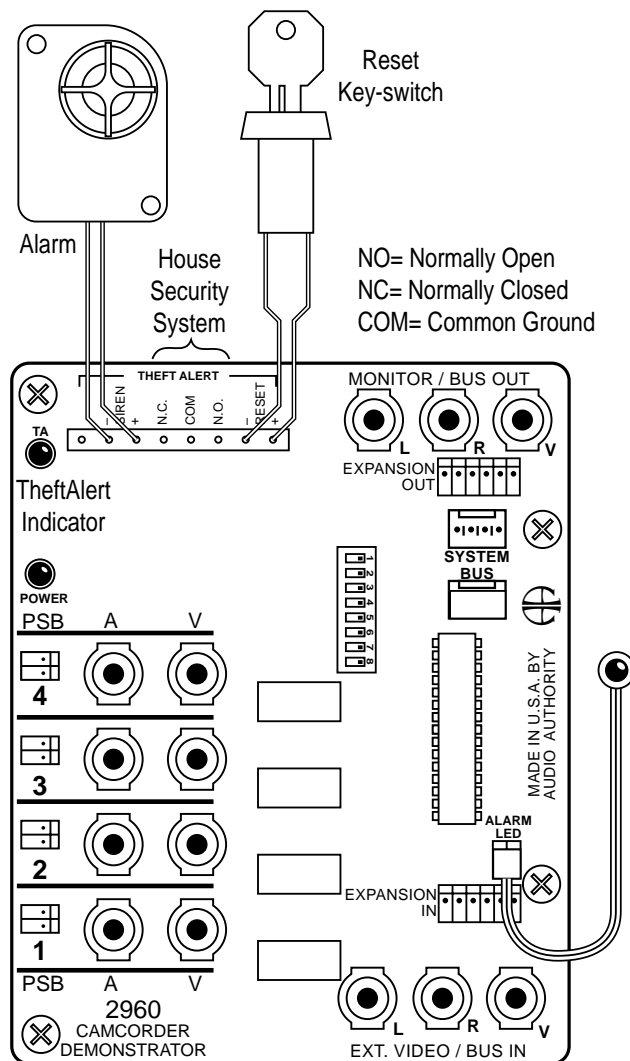


Figure 5. The first 2960 Module (camcorders 1-4) with KIT35. The alarm LED will FLASH when TheftAlert is activated, SOLID when a theft has occurred, OFF when TheftAlert is off or reset.

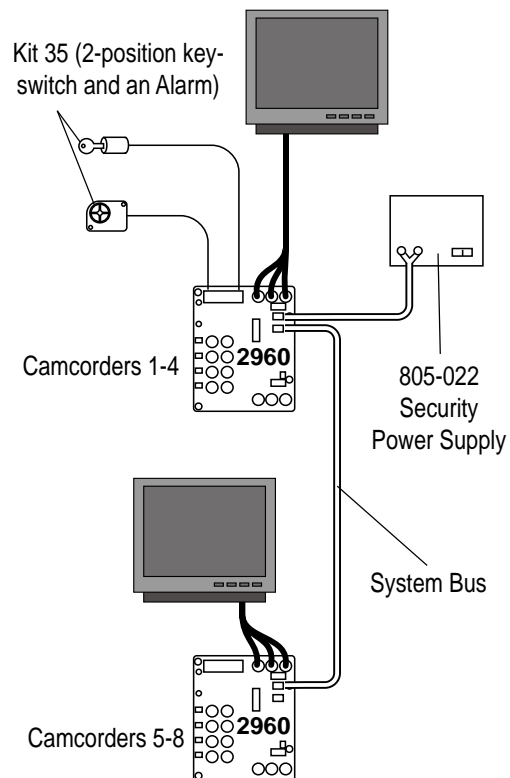


Figure 6. Two independent 4-camcorder/1-monitor systems share the same KIT35 alarm and Security Power Supply. The two systems must be connected by System Bus cable.

TheftAlert™ Operational Guidelines

Following are some operational guidelines to insure proper TheftAlert™ activation:

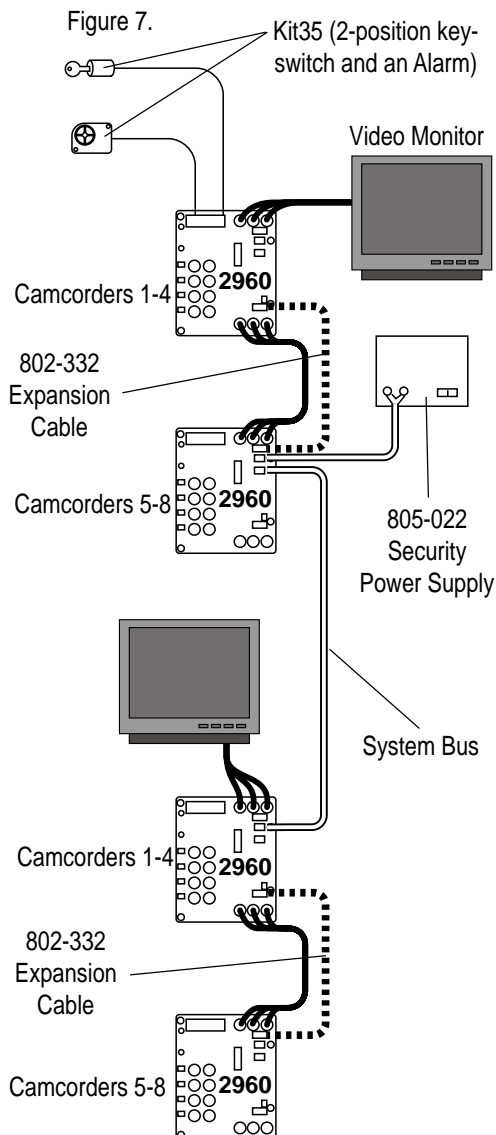
1. Camcorders **MUST** use an AC power pack instead of a battery.
2. Camcorders **MUST** be turned ON at all times.
 - a. Prevent auto power down by removing any video tapes.
 - b. Manually disable any auto power down modes.
3. Always use the audio/video cable supplied with the camcorder.
 - a. This is very important when a camcorder has a 3.5mm jack instead of standard RCA jacks.
 - b. Only the manufacturer's cable will fit snug, any loose connections may cause a false alarm.
4. Always reset the alarm (keyswitch) when rotating/ changing product.
5. Unplug the A/V cable on the camcorder to test the alarm system.

Troubleshooting the TheftAlert™ System

1. Camcorders are automatically detected and secured when connected to the 2960. Always verify the camcorder is recognized by the 2960. The camcorder should appear on the monitor when removed from the Model 991 stalk (or activated for selection by a product select button).

If the camcorder video does not appear on the monitor:

- a. Is the camcorder turned on?
 - b. Are the audio/ video cables connected?
 - c. Does the green LED turn on when the camcorder is placed back on the 991 Camera Stock (is the LED lit)? If it does, the 2960 did switch to the camcorder, the lens cap is on, or the video cable is faulty or disconnected.
2. During an alarm, if the camcorder is on the 991 stalk, the stalk's green LED will be flashing (if used, the PSB's LED will also flash). Turn OFF the siren with the reset key, but leave the system in the OFF position until the problem has been fixed. When the problem is fixed, (e.g. the removed audio/ video cable is reconnected) the green LED will stop flashing. If the alarm is simply reset without fixing the problem, the camcorder which caused the alarm may not be protected.



Programming

The Attract Mode's scanning and external video features are selected by setting the programming switches (see Figure 1). These features attract customer interest in the camcorder display by launching a sequence of automatically switching (scanning) the camcorders, playing promotional video from a "house source," or by a combination of the two, when the camcorders are not being actively examined by customers.

Every module with a television monitor connected to it must be programmed for the desired Attract Mode. In multi-module systems, leave all programming switches OFF in modules that are not directly connected to a television monitor.

The Attract Mode begins after a period of time, called Timeout, when no new camcorder selections have been made. Set the Timeout period from 1/2 to 3 minutes using Programming Switches 2 and 3 as shown in the table on the next page. The timeout period begins when the last selected camcorder is returned to its 991 stand or when the last PSB is pressed. A longer timeout period is recommended when using Product Select Buttons.

The following elements are used individually or combined to make an Attract Mode program:

- **Scan.** The monitor sequentially displays the outputs of the camcorders that are present, switching to a new one every 3 seconds. External video may be added to the rotation.
- **External Video Short.** 6 seconds of an external video source, such as a text generator, is included in the camcorder scan.
- **External Video Long.** One Timeout period of external video, such as a promotional clip, is displayed alone or with a camcorder scan.
- **Repeat.** The Attract Mode program repeats endlessly until a camcorder is picked up.

Choose the most suitable Attract Mode program from the following choices, then set the switches as indicated in the Programming Table on the following page.

In all cases, Attract Mode starts one timeout period after the last camcorder is returned to its stand or the last PSB is pressed, and ends when the next camcorder is picked up or selected.

- A. Attract Mode OFF.** The monitor displays the last camcorder until a new one is picked up.
- B. Scan Only.** The camcorders are scanned. Vacant camcorder positions are ignored.
- C. Repeated Scan + Review.** The camcorder scan alternates with the last selected camcorder every new timeout period.

D. Single Scan + Review. The camcorders are scanned for one timeout period, then the last camcorder is displayed continuously.

E. X-video. The external video source is displayed continuously.

F. Single Scan + X-video. The camcorders are scanned for one timeout period, then external video is displayed continuously.

G. Repeated Scan + X-video. The camcorder scan alternates with external video every new timeout period.

H. Scan X-video. The camcorders are scanned continuously with X-video in the rotation.

I. Single Scan X-video + Review. The camcorders and external video are scanned for one timeout period, then the last camcorder is displayed continuously.

J. Single Scan X-video + X-video. The camcorders are scanned with external video in the rotation for one timeout period, then external video is displayed continuously.

K. Repeated Scan X-video + X-video. Camcorders scanning with external video alternates with external video alone every new timeout period.

Attract Mode Settings					Function Settings		
Switch Number	3	4	5	6	Switch Number	1	2
Name	ExtVS	ExtVL	Scan	Repeat	Name	1 MIN	2 MIN
Attract Mode:					Function:		
A. None	OFF	OFF	OFF	OFF	1/2 Minute Timeout	OFF	OFF
B. Scan Only	OFF	OFF	ON	ON	1 Minute Timeout	ON	OFF
C. Repeated Scan + Review	OFF	OFF	OFF	ON	2 Minute Timeout	OFF	ON
D. Single Scan + Review	OFF	OFF	ON	OFF	3 Minute Timeout	ON	ON
E. X-video	OFF	ON	OFF	OFF			
F. Single Scan + X-video	OFF	ON	ON	OFF			
G. Repeated Scan + X-video	OFF	ON	ON	ON			
H. Scan X-video	ON	OFF	ON	ON			
I. Single Scan X-video + Review	ON	OFF	ON	OFF			
J. Single Scan X-video + X-video	ON	ON	ON	OFF			
K. Repeated Scan X-video + X-video	ON	ON	ON	ON			
					Switches 7 & 8 are not used.		



2048 Mercer Road, Lexington, Kentucky 40511-1071
Phone: 859-233-4599 • Fax: 859-233-4510
Customer Toll-Free USA & Canada: 800-322-8346
Website: <http://www.audioauthority.com>